



## TECHNICAL GUIDE

### SPLIT-SYSTEM AIR CONDITIONERS

13 SEER – R-410A – 3 PHASE

MODELS:  
YCJD30 THRU 60  
(2.5 THRU 5 NOMINAL TONS)



Due to continuous product improvement, specifications are subject to change without notice.

Visit us on the web at [www.york.com](http://www.york.com)

Additional rating information can be found at  
[www.ahridirectory.org](http://www.ahridirectory.org)

#### WARRANTY

Standard 1-year limited parts warranty.  
Standard 5-year limited compressor warranty.

## DESCRIPTION

The 13 SEER Series unit is the outdoor part of a versatile climate system. It is designed with a matching indoor coil component from Johnson Controls Unitary Products. Available for typical applications this climate system is supported with accessories and documents to serve specific functions.

## FEATURES

- **Quality Condenser Coils** - The coil is constructed of aluminum microchannel tubing and enhanced aluminum fins for increased efficiency.
- **Protected Compressor** - The compressor is internally protected against high pressure, temperature, and externally by a factory installed high pressure switch. This is accomplished by the simultaneous operation of high pressure relief valve and a temperature sensor which protects the compressor if undesirable operating conditions occur. A liquid line filter-drier further protects the compressor.
- **Durable Finish** - The cabinet is made of pre-painted steel. The pre-treated galvanized steel provides a better paint to steel bond, which resists corrosion and rust creep. Special primer formulas and matted-textured finish insure less fading when exposed to sunlight.
- **Lower Installed Cost** - Installation time and costs are reduced by easy power and control wiring connections. Available in sweat connect models only. The unit contains enough refrigerant for matching indoor coils and 15 feet of interconnecting piping. The small base dimension means less space is required on the ground or roof.
- **Top Discharge** - The warm air from the top mounted fan is blown up away from the structure and any landscaping. This allows compact location on multi-unit applications.
- **Low Operating Sound Level** - The upward air flow carries the normal operating noise away from the living area. The rigid top panel effectively isolates any motor sound. Isolator mounted compressor and the rippled fins of the condenser coil muffle the normal fan motor and compressor operating sounds.
- **Low Maintenance** - Long life permanently lubricated motor-bearings need no annual servicing.
- **Easy Service Access** - Fully exposed refrigerant connections, and a single panel covering the electrical controls make for easy servicing of the unit.
- **Secured Service Valves** - Secured re-usable service valves are provided on both the liquid and vapor sweat connections for ease of evacuating and charging.
- **U.L. and C.U.L. Listed** - approved for outdoor application.
- **Agency Listed** - U.L. and C.U.L. listed - approved for outdoor application. The unit is certified in accordance with the Unitary Small Equipment certification program, which is based on ARI Standard 210/240.

## Physical and Electrical Data

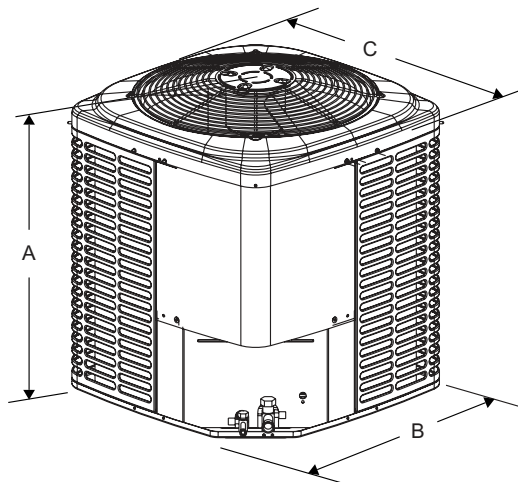
MODEL	YCJD30 S43S3	YCJD36 S43S3	YCJD42 S43S3	YCJD48 S43S3	YCJD60 S43S3	YCJD30 S44S3	YCJD36 S44S3	YCJD42 S44S3	YCJD48 S44S3	YCJD60 S44S3	
Unit Supply Voltage	208-230V, 3 $\phi$ , 60Hz					460V, 3 $\phi$ , 60Hz					
Normal Voltage Range <sup>1</sup>	187 to 252					432 to 532					
Minimum Circuit Ampacity	11.6	12.3	16.3	15.5	23.5	6.0	6.4	7.3	7.2	11.6	
Max. Overcurrent Device Amps <sup>2</sup>	15	20	25	25	40	15	15	15	15	20	
Min. Overcurrent Device Amps <sup>3</sup>	15	15	20	20	25	15	15	15	15	15	
Compressor Type	Recip	Recip	Recip	Recip	Scroll	Recip	Recip	Recip	Recip	Scroll	
Compressor Amps	Rated Load	8.1	8.6	11.8	11.2	17.6	4.2	4.5	5.2	5.1	8.6
	Locked Rotor	63	68	88	88	120	30	34	44	44	70
Crankcase Heater	No	No	No	No	No	No	No	No	No	No	
Fan Motor Amps	Rated Load	1.4	1.5	1.5	1.5	1.5	0.8	0.8	0.8	0.8	0.8
	Fan Diameter Inches	17.5	22	22	22	22	17.5	22	22	22	22
Fan Motor	Rated HP	1/4	1/4	1/4	1/4	1/4	1/4	1/4	1/4	1/4	1/4
	Nominal RPM	1100	850	850	850	850	1100	850	850	850	850
	Nominal CFM	2050	3200	2950	2950	3600	2050	3200	2950	2950	3600
Coil	Face Area Sq. Ft.	9.6	13.07	14.16	14.16	18.68	9.6	13.07	14.16	14.16	18.68
	Rows Deep	1	1	1	1	1	1	1	1	1	1
	Fin / Inches	23	23	23	23	23	23	23	23	23	23
Liquid Line Set OD (Field Installed)	3/8	3/8	3/8	3/8	3/8	3/8	3/8	3/8	3/8	3/8	
Vapor Line Set OD (Field Installed)	3/4	3/4	7/8	7/8	7/8	3/4	3/4	7/8	7/8	7/8	
Unit Charge (Lbs. - Oz.) <sup>4</sup>	3 - 14	4 - 9	4 - 5	4 - 9	5 - 6	3 - 14	4 - 9	4 - 5	4 - 9	5 - 6	
Charge Per Foot, Oz.	0.62	0.62	0.67	0.67	0.67	0.62	0.62	0.67	0.67	0.67	
Operating Weight Lbs.	131	145	173	173	195	131	145	173	173	195	

1. Rated in accordance with ARI Standard 110, utilization range "A".

2. Dual element fuses or HACR circuit breaker. Maximum allowable overcurrent protection.

3. Dual element fuses or HACR circuit breaker. Minimum recommended overcurrent protection.

4. The Unit Charge is correct for the outdoor unit, matched indoor coil and 15 feet of refrigerant tubing. For tubing lengths other than 15 feet, add or subtract the amount of refrigerant, using the difference in length multiplied by the per foot value. If line exceeds 25 feet, you may refer to publications software 036-68001-001 for proper line sizing.



All dimensions are in inches. They are subject to change without notice. Certified dimensions will be provided upon request.

Unit Model	Dimensions (Inches)			Refrigerant Connection Service Valve Size	
	A <sup>1</sup>	B	C	Liquid	Vapor
30	28	23-1/2	23-1/2	3/8"	3/4"
36	28	29	29		
42	30	29	29		7/8"
48	30	29	29		
60	32	33-5/8	33-5/8		

1. Including Fan Guard.

System Charge for Various Matched Systems					
Outdoor Unit	YCJD30S4(3,4)S3	YCJD36S4(3,4)S3	YCJD42S4(3,4)S3	YCJD48S4(3,4)S3	YCJD60S4(3,4)S3
Required Orifice or TXV <sup>1,2</sup>	0.061/4F1	0.065/4G1	0.075/4G1	0.073/4H1	0.087/4J1
Factory Charge, lbs-oz	3 - 14	4 - 9	4 - 5	4 - 9	5 - 6
Indoor Coil <sup>3,4</sup>	Additional Charge, oz				
AHP30	0	–	–	–	–
AHP36	2	0	–	–	–
AHP42	–	0	0	–	–
AHP/SHP60	–	–	–	0	0
AHX30	0	–	–	–	–
AHX36	2	0	–	–	–
AHX42	–	8	2	–	–
AHX48	–	–	–	0	–
AHX60	–	–	–	–	4
AV*36	2	0	–	–	–
AV/SV*48	–	–	TXV + 2	0	–
AV/SV*60	–	–	TXV + 2	0	0
F4FP024	–	–	–	–	–
F4FP036	–	–	–	–	–
F4FP040	0	–	–	–	–
F5FP048	–	8	2	4	–
F5FP060	–	–	–	0	0
F6FP030	0	–	–	–	–
F6FP036	0	–	–	–	–
F6FP042	–	8	2	–	–
F6FP048	–	–	T2	0	–
F6FP060	–	–	–	–	4
FC/MC/PC32	0	–	–	–	–
FC/MC/PC35	0	–	–	–	–
FC/MC/PC37	2	0	–	–	–
FC/MC/PC43	2	0	0	–	–
FC/MC/PC48	–	8	2	4	–
FC/MC/PC60	–	–	–	0	0
FC/MC62	–	–	–	–	4
HC36	0	–	–	–	–
HC42	2	0	0	–	–
HC60	–	–	–	–	0
UC48	–	8	2	4	–
UC60	–	–	–	0	0

**FOOTNOTES:**

1. For applications requiring a TXV use 1TVM series kit.
2. Approved orifice shipped with outdoor unit.
3. Systems matched with furnace or air handlers not equipped with blower-off delays may require blower Time Delay Kit 2FD06700224.
4. PC coils cannot be used in downflow or horizontal applications. FC coils cannot be used in horizontal applications.

**PROCEDURES:**

1. Unit factory charge listed on the unit nameplate includes refrigerant for the condenser, the smallest evaporator and 15 feet of interconnecting line tubing.
2. Verify the TXV and additional charge required for specific evaporator coil in the system using the above table.
3. Additional charge for the amount of interconnecting line tubing greater than 15 feet at the rate specified in Physical and Electrical Data Table.
4. For orifice or TXV matches requiring additional charge, the refrigerant needs to be weighed in for specific coil match and lineset length.
5. Permanently mark the unit nameplate with the total system charge. Total System Charge = Base Charge (as shipped) + adder for evaporator + adder for line set.

**COOLING CAPACITY - With Air Handler Coils**

UNIT MODEL	AIR HANDLER		COIL MODEL <sup>1</sup>	COOLING				
	MODEL	W		RATED CFM	NET MBH		SEER	EER
					TOTAL	SENS.		
<b>13 SEER AC WITH MA</b>								
YCJD30S4(3,4)S3	MA12B	17	FC/MC35B	1000	29.0	21.0	13.00	11.00
	MA12B	17	FC/MC43B	1000	29.0	21.0	13.00	11.00
YCJD36S4(3,4)S3	MA12B	17	FC/MC43B	1200	35.0	24.8	13.00	11.00
	MA14D	24	FC/MC48D	1200	35.0	24.8	13.00	11.00
YCJD42S4(3,4)S3	MA16C	21	FC/MC43C	1400	42.0	29.2	13.00	11.00
	MA14D	24	FC/MC48D	1400	42.0	29.2	13.00	11.00
	MA16C	21	FC/MC48C	1400	42.0	29.2	13.00	11.00
YCJD48S4(3,4)S3	MA16C	21	FC/MC48C	1600	48.0	34.4	13.00	11.00
	MA20D	24	FC/MC48D	1600	48.0	34.4	13.00	11.00
	MA16C	21	FC60C	1600	48.0	34.4	13.00	11.00
	MA20D	24	FC/MC60D	1600	48.0	34.4	13.00	11.00
YCJD60S4(3,4)S3	MA20D	24	FC/MC60D	1800	57.0	38.5	13.00	11.00
	MA20D	24	FC/MC62D	1800	57.0	38.5	13.00	11.00
<b>13 SEER AC WITH AHP / SHP / AHX / F*FP</b>								
YCJD30S4(3,4)S3	AHP30	17	-	1015	29.0	21.0	13.00	11.00
	AHP36	21	-	1040	29.0	21.0	13.00	11.00
	AHX30	17	-	1025	29.4	22.2	14.00	11.75
	AHX36	21	-	1005	30.0	22.3	14.50	12.00
	F4FP040	18	-	1050	29.0	21.0	13.00	11.00
	F6FP030	17	-	1035	29.2	21.6	13.50	11.40
	F6FP036	21	-	980	29.4	21.4	14.00	12.00
YCJD36S4(3,4)S3	AHP36	21	-	1235	35.0	24.8	13.00	11.00
	AHP42	21	-	1255	35.0	24.8	13.00	11.00
	AHX36	21	-	1225	35.2	25.0	13.50	11.50
	AHX42	21	-	1190	35.4	25.2	14.00	11.80
	F5FP048	24	-	1235	35.0	24.8	13.00	11.00
	F6FP042	21	-	1290	35.8	25.8	13.50	11.50
YCJD42S4(3,4)S3	AHP42	21	-	1485	41.0	29.2	13.00	11.00
	AHX42	21	-	1395	42.0	29.9	14.50	12.00
	F5FP048	24	-	1455	41.0	29.2	13.00	11.00
	F6FP042	21	-	1455	42.0	30.1	14.00	11.75
	F6FP048	24	-	1380	41.5	29.4	13.50	11.70
YCJD48S4(3,4)S3	AHP/SHP48	24	-	1675	48.0	34.4	13.00	11.00
	AHP/SHP60	24	-	1600	48.0	35.0	13.50	11.00
	AHX48	24	-	1660	48.0	35.4	13.50	11.50
	F5FP048	24	-	1600	48.0	34.4	13.00	11.00
	F5FP060	24	-	1600	48.0	34.4	13.00	11.00
	F6FP048	24	-	1625	47.0	34.8	13.00	11.30
YCJD60S4(3,4)S3	AHP/SHP60	24	-	1850	57.0	38.5	13.00	11.00
	AHX60	24	-	1905	58.5	40.0	13.50	11.50
	F5FP060	24	-	1900	57.0	38.5	13.00	11.00
	F6FP060	24	-	1710	57.5	39.0	13.50	11.50
<b>13 SEER AC WITH AV/SV</b>								
YCJD30S4(3,4)S3	AV*36	21	-	960	30.0	21.8	14.50	12.00
YCJD36S4(3,4)S3	AV*36	21	-	1190	35.0	25.2	13.50	11.50
YCJD42S4(3,4)S3	AV*48	24	-	1385	42.0	29.8	14.00	12.00
	AV*60	24	-	1360	42.0	29.8	14.00	12.00
YCJD48S4(3,4)S3	AV*48	24	-	1625	48.0	35.0	13.50	11.50
	AV*60	24	-	1560	48.0	35.0	13.50	11.50
YCJD60S4(3,4)S3	AV*60	24	-	1730	57.0	39.0	13.50	11.50

Rated in accordance with DOE test procedures (Federal Register 12-27-79 and 3-18-88) and ARI Standards 210.

Cooling MBH based on 80°F entering air temperature, 50% RH, and rated air flow.

EER (Energy Efficiency Ratio) is the total cooling output in BTU's at 95°F outdoor ambient divided by the total electric power in watt-hours at those conditions.

SEER (Seasonal Energy Efficiency Ratio) is the total cooling output in BTU's during a normal annual usage period for cooling divided by the total electric power input in watt-hours during the same period.

1. MC coils available with a factory installed horizontal drain pan. See price pages for specific model number.

— = Not applicable.

**COOLING CAPACITY - Upflow, Downflow & Horizontal Furnaces and Coils**

UNIT MODEL	FURNACE**		COIL MODEL	COOLING				
	CFM RANGE (Min.-max.)	W		RATED CFM	NET MBH		SEER <sup>1</sup>	EER
					TOTAL	SENS.		
YCJD30S4(3,4)S3	800 - 1200	14	FC/MC/PC32	1000	29.0	21.0	13.00	11.00
	800 - 1200	17,21	FC/MC/PC35	1000	29.0	21.0	13.00	11.00
	800 - 1200	14	FC/MC/PC37	1000	29.0	21.0	13.00	11.00
	800 - 1200	17,21	FC/MC/PC43	1000	29.0	21.0	13.00	11.00
	800 - 1200	17	HC36	1000	29.0	21.0	13.00	11.00
	800 - 1200	21	HC42	1000	29.0	21.0	13.00	11.00
YCJD36S4(3,4)S3	1000 - 1400	14	FC/MC/PC37	1200	35.0	24.8	13.00	11.00
	1000 - 1400	17,21	FC/MC/PC43	1200	35.0	24.8	13.00	11.00
	1000 - 1400	21,24	FC/MC/PC48	1200	35.0	24.8	13.00	11.00
	1000 - 1400	21	HC42	1200	35.0	24.8	13.00	11.00
	1000 - 1400	21,24	UC48	1200	35.0	24.8	13.00	11.00
YCJD42S4(3,4)S3	1200 - 1600	17,21	FC/MC/PC43	1400	42.0	29.2	13.00	11.00
	1200 - 1600	21,24	FC/MC/PC48	1400	42.0	29.2	13.00	11.00
	1200 - 1600	21	HC42	1400	42.0	29.2	13.00	11.00
	1200 - 1600	21,24	UC48	1400	42.0	29.2	13.00	11.00
YCJD48S4(3,4)S3	1400 - 1800	21,24	FC/MC/PC48	1600	48.0	34.4	13.00	11.00
	1400 - 1800	21,24	FC/MC/PC60	1600	48.0	34.4	13.00	11.00
	1400 - 1800	24	HC60	1600	48.0	34.4	13.00	11.00
	1400 - 1800	21,24	UC48	1600	48.0	34.4	13.00	11.00
	1400 - 1800	21,24	UC60	1600	48.0	34.4	13.00	11.00
YCJD60S4(3,4)S3	1600 - 2000	21,24	FC/MC/PC60	1800	57.0	38.5	13.00	11.00
	1600 - 2000	24	FC/MC62	1800	57.0	38.5	13.00	11.00
	1600 - 2000	24	HC60	1800	57.0	38.5	13.00	11.00
	1600 - 2000	21,24	UC60	1800	57.0	38.5	13.00	11.00

1. Requires a 2FD06700224 Blower Time Delay unless a standard furnace is equipped with one.

\*\* Refer to Quick Selection Chart for specific furnace match-up.

**COOLING CAPACITY - With High Efficiency Motor Furnaces**

UNIT MODEL	FURNACE MODEL	COIL MODEL <sup>1</sup>	W	COOLING				
				RATED CFM	Net MBH		SEER	EER
					TOTAL	SENS.		
<b>13 SEER HP WITH VARIABLE SPEED FURNACES<sup>2</sup></b>								
YCJD30S4(3,4)S3	T*(8,L)X*A12	FC/MC/PC32A	14	970	29.2	21.4	13.20	11.00
	T*(8,L)X*B12	FC/MC/PC35B	17	1120	30.0	22.8	14.00	11.50
	T*(8,L)X*C16	FC/MC/PC35C	21	1105	30.0	22.8	14.00	12.00
	T*(8,L)X*C20	FC/MC/PC35C	21	850	28.8	20.6	14.00	12.00
	T*9X*B12	FC/MC/PC35B	17	1085	29.8	22.8	14.00	12.00
	T*9X*C16	FC/MC/PC35C	21	1075	29.8	22.4	14.00	12.00
	T*(8,L)X*A12	FC/MC/PC37A	14	1105	30.0	22.9	13.80	11.50
	T*(8,L)X*B12	FC/MC/PC43B	17	1125	30.0	22.9	14.00	12.00
	T*(8,L)X*C16	FC/MC/PC43C	21	710	28.2	19.3	14.00	12.00
	T*(8,L)X*C20	FC/MC/PC43C	21	870	29.6	21.2	14.00	12.00
	T*9X*B12	FC/MC/PC43B	17	1095	30.0	22.9	13.80	11.50
	T*9X*C16	FC/MC/PC43C	21	1055	30.0	22.9	14.00	12.00
T*9X*C20	FC/MC/PC43C	21	720	28.2	19.3	14.00	12.00	
YCJD36S4(3,4)S3	T*(8,L)X*A12	FC/MC/PC37A	14	1290	35.2	25.4	13.30	11.25
	T*(8,L)X*B12	FC/MC/PC43B	17	1300	35.2	25.4	13.30	11.25
	T*(8,L)X*C16	FC/MC/PC43C	21	1175	35.2	24.8	14.00	11.50
	T*(8,L)X*C20	FC/MC/PC43C	21	1250	35.6	25.6	13.80	11.70
	T*9X*B12	FC/MC/PC43B	17	1270	35.2	25.4	13.25	11.25
	T*9X*C16	FC/MC/PC43C	21	1260	35.4	25.4	13.45	11.40
	T*9X*C20	FC/MC/PC43C	21	1185	35.0	24.6	13.55	11.40
	T*(8,L)X*C16	FC/MC/PC48C	21	1185	35.6	25.2	14.00	11.50
	T*(8,L)X*C20	FC/MC/PC48C	21	1270	35.8	25.8	14.00	11.50
	T*9X*C16	FC/MC/PC48C	21	1280	35.8	25.8	13.70	11.50
	T*9X*C20	FC/MC/PC48C	21	1205	35.4	25.0	13.70	11.50
	T*9X*D20	FC/MC/PC48D	24	1240	35.4	25.0	13.70	11.50
	T*(8,L)X*C16	UC48C	21	1185	34.2	24.8	13.50	11.50
	T*(8,L)X*C20	UC48C	21	1300	34.8	25.4	13.50	11.50
	T*9X*C16	UC48C	21	1280	34.6	24.8	13.15	11.20
	T*9X*C20	UC48C	21	1205	34.0	24.6	13.25	11.20
T*9X*D20	UC48D	24	1240	34.0	24.6	13.30	11.25	
YCJD42S4(3,4)S3	T*(8,L)X*B12	FC/MC/PC43B	17	1300	42.0	29.0	13.50	11.50
	T*(8,L)X*C16	FC/MC/PC43C	21	1475	42.0	29.9	13.50	11.50
	T*(8,L)X*C20	FC/MC/PC43C	21	1415	42.0	29.5	13.50	11.50
	T*9X*B12	FC/MC/PC43B	17	1270	42.0	29.0	13.50	11.50
	T*9X*C16	FC/MC/PC43C	21	1410	42.0	29.6	13.30	11.00
	T*9X*C20	FC/MC/PC43C	21	1400	42.0	29.6	13.50	11.00
	T*(8,L)X*C16	FC/MC/PC48C	21	1360	42.0	29.5	13.80	11.50
	T*(8,L)X*C20	FC/MC/PC48C	21	1475	42.0	30.1	14.00	11.50
	T*9X*C16	FC/MC/PC48C	21	1425	42.0	29.3	13.50	11.50
	T*9X*C20	FC/MC/PC48C	21	1420	42.0	29.3	13.50	11.50
	T*9X*D20	FC/MC/PC48D	24	1435	42.0	29.7	13.50	11.50
	T*(8,L)X*C16	UC48C	21	1400	42.0	29.4	13.50	11.00
	T*(8,L)X*C20	UC48C	21	1515	42.0	30.0	13.50	11.00
	T*9X*C16	UC48C	21	1425	41.5	29.2	13.30	11.00
	T*9X*C20	UC48C	21	1420	42.0	29.4	13.20	11.00
T*9X*D20	UC48D	24	1435	42.0	29.4	13.40	11.00	

For Notes See Page 7.

**COOLING CAPACITY - With High Efficiency Motor Furnaces (Continued)**

UNIT MODEL	FURNACE MODEL	COIL MODEL <sup>1</sup>	W	COOLING				
				RATED CFM	Net MBH		SEER	EER
					TOTAL	SENS.		
<b>13 SEER HP WITH VARIABLE SPEED FURNACES<sup>2</sup></b>								
YCJD48S4(3,4)S3	T*(8,L)X*C16	FC/MC/PC48C	21	1600	48.0	34.4	13.30	11.00
	T*(8,L)X*C20	FC/MC/PC48C	21	1660	48.0	34.4	13.20	11.00
	T*9X*C16	FC/MC/PC48C	21	1565	48.0	34.8	13.10	11.00
	T*9X*C20	FC/MC/PC48C	21	1615	48.0	34.4	13.20	11.00
	T*9X*D20	FC/MC/PC48D	24	1635	48.0	34.8	13.20	11.00
	T*(8,L)X*C16	FC/PC60C	21	1605	48.0	34.6	13.30	11.00
	T*(8,L)X*C20	FC/MC/PC60D	21	1595	48.0	34.8	13.30	11.00
	T*9X*C16	FC/PC60C	21	1575	48.0	34.6	13.30	11.00
	T*9X*C20	FC/PC60C	21	1625	47.0	34.6	13.40	11.00
	T*9X*D20	FC/MC/PC60D	24	1490	47.5	33.8	13.20	11.00
	T*9X*C16	FC/PC60C	21	1575	47.0	33.8	13.10	11.00
	T*9X*C20	FC/PC60C	21	1625	47.0	33.8	13.10	11.00
YCJD60S4(3,4)S3	T*(8,L)X*C16	FC/PC60C	21	1605	56.5	37.8	13.50	11.00
	T*(8,L)X*C20	FC/MC/PC60D	21	1690	57.0	37.8	13.50	11.00
	T*9X*C16	FC/PC60C	21	1575	56.0	37.8	13.30	11.00
	T*9X*C20	FC/PC60C	21	1560	56.0	37.8	13.30	11.00
	T*9X*D20	FC/MC/PC60D	24	1630	56.5	37.8	13.30	11.00
	T*9X*C20	FC/MC/PC60D	21	1645	56.5	37.8	13.30	11.00
	T*(8,L)X*C20	FC/MC62D	21	1665	57.0	37.8	13.50	11.00
	T*(8,L)X*C16	UC60C	21	1640	56.0	37.2	13.00	11.00
	T*(8,L)X*C20	UC60D	21	1735	56.5	38.5	13.00	11.00
	T*9X*C16	FC/PC60C	21	1575	56.0	37.2	13.00	11.00
	T*9X*C20	FC/PC60C	21	1560	56.0	37.2	13.00	11.00
	T*9X*D20	UC60D	24	1630	56.0	37.2	13.00	11.00
	T*(8,L)X*C20	UC60D	21	1735	56.5	38.5	13.00	11.00
	T*9X*C20	UC60D	21	1645	56.0	37.2	13.00	11.00

1. MC coils available with a factory installed horizontal drain pan. See price pages for specific model number.

2. Variable speed furnaces have B.O.D (Blower on Delay) standard.

**ACCESSORIES**

Refer to Price Manual for specific model numbers.

**Off Cycle Timer Delay** - Provides a 5-minute off cycle to prevent rapid recycling of the compressor.

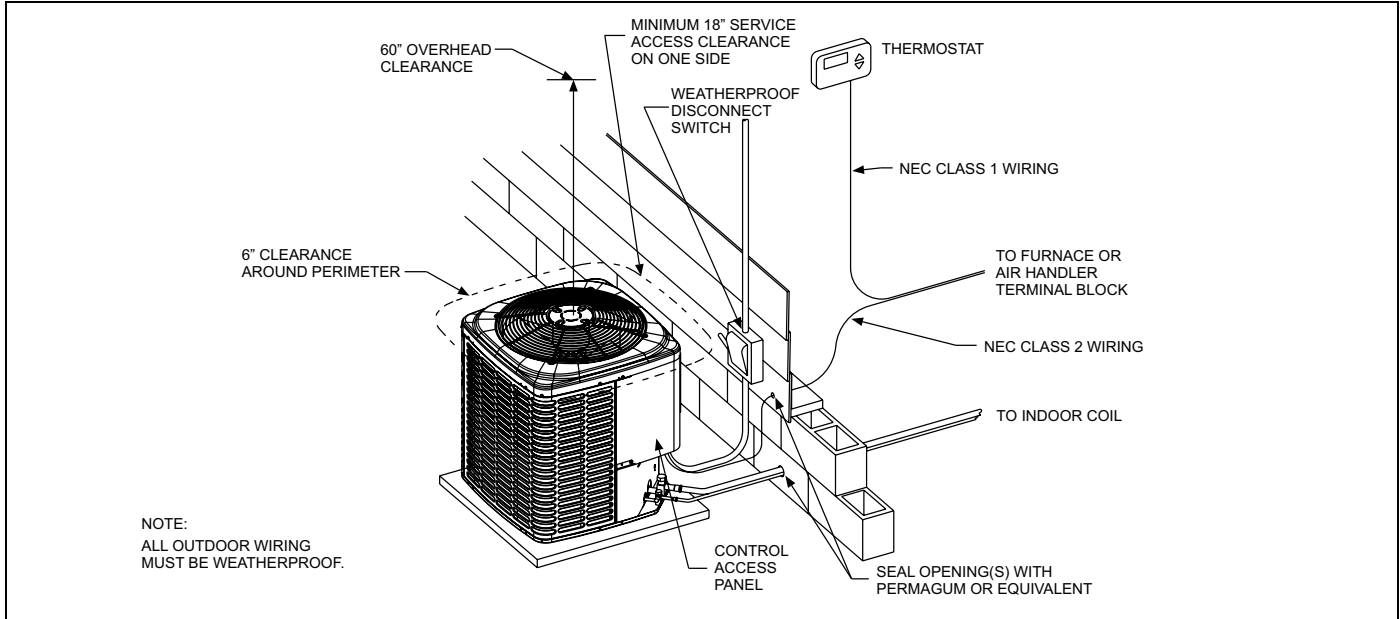
**Thermostats** - Compatible thermostat controls are available through accessory sourcing. For optimum performance and installation, refer to the UPGNET "Low Voltage Wiring Diagram" document to select and apply controls.

**SOUND POWER RATINGS\***

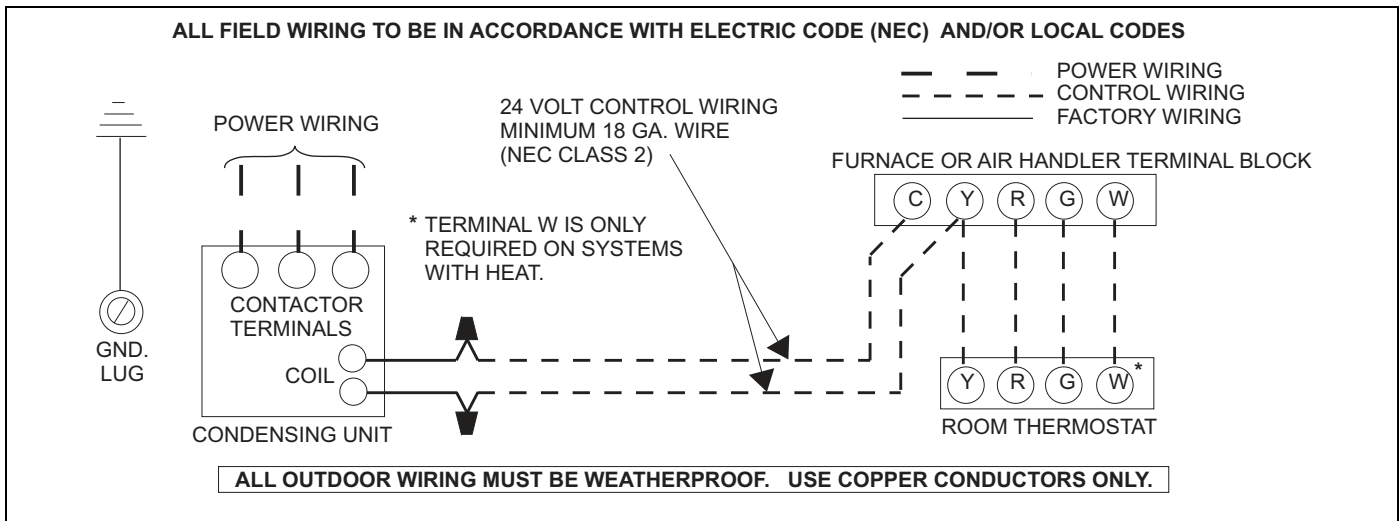
UNIT MODEL	(dBA)	
	230V	460V
30	76	76
36	76	76
42	77	76
48	77	77
60	78	78

\* Rated in accordance with ARI 270-95 Standards.

**TYPICAL INSTALLATION**



**TYPICAL FIELD WIRING**





<b>COOLING PERFORMANCE DATA</b>																
<b>AIR CONDITIONER MODEL NO.</b>		<b>YCJD30S4(3,4)S3</b>														
<b>INDOOR COIL MODEL NO.</b>		<b>FC/MC/PC35</b>														
<b>CONDENSING ENTERING AIR TEMPERATURE</b>	<b>IDCFM</b>	<b>800</b>					<b>1000</b>					<b>1200</b>				
	<b>ID DB (°F)</b>	80	80	75	80	80	80	80	75	80	80	80	80	75	80	80
	<b>ID WB (°F)</b>	57	62	62	67	72	57	62	62	67	72	57	62	62	67	72
65	T.C.	28.4	31.4	30.8	33.1	34.4	29.8	31.8	31.4	33.4	34.5	31.2	32.3	32.1	33.7	34.7
	S.C.	28.8	25.8	21.7	21.2	16.0	30.4	28.2	23.6	22.6	17.1	31.9	30.7	25.4	24.0	18.1
	KW	1.7	1.7	1.7	1.7	1.7	1.7	1.7	1.7	1.7	1.7	1.7	1.7	1.7	1.7	1.7
75	T.C.	26.4	28.8	28.2	30.9	32.6	27.9	29.7	28.9	31.4	32.8	29.5	30.5	29.6	31.8	32.9
	S.C.	26.9	24.7	20.5	20.3	15.4	28.5	27.1	22.6	22.0	16.4	30.2	29.5	24.6	23.7	17.5
	KW	1.8	1.8	1.8	1.9	1.9	1.8	1.8	1.8	1.9	1.9	1.9	1.9	1.9	1.9	1.9
85	T.C.	24.4	26.3	25.6	28.8	30.9	26.0	27.5	26.4	29.3	31.0	27.7	28.7	27.1	29.8	31.2
	S.C.	24.9	23.6	19.4	19.4	14.7	26.6	26.0	21.6	21.4	15.8	28.4	28.4	23.9	23.4	16.8
	KW	2.0	2.0	2.0	2.0	2.1	2.0	2.0	2.0	2.0	2.1	2.0	2.0	2.0	2.1	2.1
95	T.C.	22.4	23.8	23.0	26.7	29.1	24.2	25.3	23.8	29.0	29.3	26.0	26.9	24.7	27.9	29.4
	S.C.	22.9	22.5	18.2	18.5	14.1	24.8	24.9	20.7	21.2	15.1	26.7	27.3	23.1	23.1	16.2
	KW	2.1	2.1	2.1	2.2	2.3	2.2	2.2	2.2	2.2	2.3	2.2	2.2	2.2	2.2	2.3
105	T.C.	20.5	21.8	20.4	23.7	26.3	22.0	23.1	21.3	24.3	26.4	23.6	24.5	22.1	24.8	26.4
	S.C.	21.0	20.7	17.1	17.4	13.2	22.6	22.7	19.1	19.7	14.3	24.3	24.7	21.0	22.0	15.4
	KW	2.3	2.3	2.3	2.4	2.4	2.4	2.4	2.3	2.4	2.5	2.4	2.4	2.3	2.4	2.5
115	T.C.	18.6	19.8	17.9	20.9	23.5	19.9	21.0	18.8	21.4	23.5	21.2	22.2	19.6	21.8	23.6
	S.C.	19.1	18.9	15.9	16.4	12.3	20.5	20.5	17.5	18.6	13.5	22.0	22.2	19.1	20.9	14.7
	KW	2.5	2.5	2.4	2.5	2.6	2.5	2.5	2.5	2.5	2.6	2.6	2.6	2.5	2.6	2.6
125	T.C.	16.8	17.9	15.4	18.1	20.7	17.8	18.9	16.2	18.5	20.7	18.9	19.9	17.1	18.8	20.7
	S.C.	17.3	17.2	14.8	15.3	11.4	18.4	18.4	16.0	17.6	12.6	19.6	19.6	17.1	19.8	13.9
	KW	2.7	2.7	2.6	2.7	2.8	2.7	2.7	2.6	2.7	2.8	2.7	2.7	2.7	2.7	2.8

**NOTE:** ALL CAPACITIES INCLUDE INDOOR FAN HEAT AT 1250 BTUH/1000 CFM.

#### Multipliers for determining the performance with other indoor sections.

**NOTE:** For dry bulb temperatures different than those listed (between 73-87 F), sensible capacity increases by 1060 BTUH per 1000 CFM per degree above the listed temperature and decreases by 1060 BTUH per 1000 CFM per degree below the listed temperature.

<b>Air Handlers</b>	<b>Coils</b>	<b>T.C.</b>	<b>S.C.</b>	<b>KW</b>
–	FC/MC/PC35	1.00	1.00	1.00
–	FC/MC/PC37	1.00	1.00	1.00
–	FC/MC/PC43	1.00	1.00	1.00
–	HC36	1.00	1.00	1.00
–	HC42	1.00	1.00	1.00
AHP30	–	1.00	1.00	1.00
AHP36	–	1.00	1.00	1.00
AHX30	–	1.01	1.06	0.95
AHX36	–	1.03	1.06	0.95
AV*36	–	1.03	1.04	0.95
MA12B	FC/MC35B	1.00	1.00	1.00
MA12B	FC/MC43B	1.00	1.00	1.00
F4FP040	–	1.00	1.00	1.00
F6FP030	–	1.01	1.03	0.97
F6FP036	–	1.01	1.02	0.93

<b>Furnaces</b>	<b>Coils</b>	<b>T.C.</b>	<b>S.C.</b>	<b>KW</b>
T*(8,L)X*A12	FC/MC/PC32A	1.01	1.02	1.01
T*(8,L)X*B12	FC/MC/PC35B	1.03	1.09	0.99
T*(8,L)X*C16	FC/MC/PC35C	1.03	1.09	0.95
T*(8,L)X*C20	FC/MC/PC35C	0.99	0.98	0.91
T*9X*B12	FC/MC/PC35B	1.03	1.09	0.94
T*9X*C16	FC/MC/PC35C	1.03	1.07	0.94
T*(8,L)X*A12	FC/MC/PC37A	1.03	1.09	0.99
T*(8,L)X*B12	FC/MC/PC43B	1.03	1.09	0.95
T*(8,L)X*C16	FC/MC/PC43C	0.97	0.92	0.89
T*(8,L)X*C20	FC/MC/PC43C	1.02	1.01	0.94
T*9X*B12	FC/MC/PC43B	1.03	1.09	0.99
T*9X*C16	FC/MC/PC43C	1.03	1.09	0.95
T*9X*C20	FC/MC/PC43C	0.97	0.92	0.89

<b>COOLING PERFORMANCE DATA</b>																
<b>AIR CONDITIONER MODEL NO.</b>		<b>YCJD36S4(3,4)S3</b>														
<b>INDOOR COIL MODEL NO.</b>		<b>FC/MC/PC43</b>														
<b>CONDENSING ENTERING AIR TEMPERATURE</b>	IDCFM	1000					1200					1400				
	ID DB (°F)	80	80	75	80	80	80	80	75	80	80	80	80	75	80	80
	ID WB (°F)	57	62	62	67	72	57	62	62	67	72	57	62	62	67	72
65	T.C.	34.7	36.1	35.2	37.4	37.3	33.8	35.5	34.8	37.0	37.5	32.9	34.9	34.4	36.6	37.6
	S.C.	34.3	33.0	27.6	25.5	18.4	33.3	31.0	26.2	24.6	18.0	32.3	29.1	24.7	23.6	17.7
	KW	2.0	2.0	2.0	2.0	2.0	2.0	2.0	2.0	2.0	2.0	1.9	2.0	1.9	2.0	2.0
75	T.C.	33.6	34.7	33.6	35.9	36.6	32.6	33.9	33.2	35.5	36.6	31.5	33.2	32.7	35.1	36.6
	S.C.	33.3	32.5	27.5	25.6	18.6	32.1	30.6	25.8	24.5	18.0	31.0	28.7	24.2	23.3	17.5
	KW	2.2	2.2	2.2	2.2	2.2	2.2	2.2	2.2	2.2	2.2	2.1	2.2	2.2	2.2	2.2
85	T.C.	32.4	33.2	32.0	34.4	35.8	31.3	32.3	31.5	34.1	35.7	30.2	31.5	31.0	33.7	35.5
	S.C.	32.2	32.0	27.3	25.8	18.8	30.9	30.2	25.5	24.3	18.0	29.6	28.3	23.7	22.9	17.3
	KW	2.4	2.4	2.4	2.4	2.4	2.4	2.4	2.4	2.4	2.4	2.3	2.4	2.4	2.4	2.4
95	T.C.	31.3	31.7	30.4	33.0	35.0	30.1	30.7	29.9	35.0	34.8	28.9	29.8	29.4	32.2	34.5
	S.C.	31.1	31.5	27.2	26.0	19.0	29.7	29.7	25.2	24.9	18.0	28.3	27.9	23.2	22.5	17.1
	KW	2.6	2.6	2.6	2.6	2.7	2.6	2.6	2.6	2.6	2.7	2.5	2.6	2.6	2.6	2.6
105	T.C.	27.9	28.8	27.2	29.8	32.5	27.0	27.8	26.6	29.4	32.2	26.0	26.9	25.9	29.0	31.9
	S.C.	28.7	28.9	25.0	25.0	18.4	27.3	27.2	23.2	23.2	17.3	25.8	25.6	21.5	21.4	16.2
	KW	2.8	2.8	2.8	2.8	2.9	2.8	2.8	2.8	2.8	2.9	2.7	2.8	2.7	2.8	2.9
115	T.C.	24.6	26.0	24.2	26.8	30.1	23.9	25.1	23.4	26.3	29.8	23.3	24.1	22.6	25.9	29.5
	S.C.	26.3	26.3	22.8	24.1	17.8	24.9	24.8	21.3	22.2	16.6	23.5	23.3	19.8	20.3	15.4
	KW	3.0	3.0	3.0	3.0	3.1	3.0	3.0	2.9	3.0	3.1	2.9	2.9	2.9	3.0	3.1
125	T.C.	21.3	23.2	21.1	23.7	27.6	20.9	22.3	20.2	23.2	27.3	20.5	21.3	19.3	22.7	27.0
	S.C.	23.9	23.8	20.6	23.2	17.2	22.5	22.4	19.4	21.2	15.9	21.1	21.0	18.2	19.2	14.6
	KW	3.2	3.2	3.2	3.2	3.4	3.2	3.2	3.1	3.2	3.3	3.1	3.1	3.1	3.2	3.3

**NOTE:** ALL CAPACITIES INCLUDE INDOOR FAN HEAT AT 1250 BTUH/1000 CFM.

#### Multipliers for determining the performance with other indoor sections.

**NOTE:** For dry bulb temperatures different than those listed (between 73-87 F), sensible capacity increases by 1060 BTUH per 1000 CFM per degree above the listed temperature and decreases by 1060 BTUH per 1000 CFM per degree below the listed temperature.

<b>Air Handlers</b>	<b>Coils</b>	<b>T.C.</b>	<b>S.C.</b>	<b>KW</b>
-	FC/MC/PC43	1.00	1.00	1.00
-	FC/MC/PC48	1.00	1.00	1.00
-	HC42	1.00	1.00	1.00
-	UC48	1.00	1.00	1.00
AHP36	-	1.00	1.00	1.00
AHP42	-	1.00	1.00	1.00
AHX36	-	1.01	1.01	0.96
AHX42	-	1.01	1.02	0.94
AV*36	-	1.01	1.01	0.92
MA12B	FC/MC43B	1.00	1.00	1.00
MA14D	FC/MC48D	1.00	1.00	1.00
F5FP048	-	1.00	1.00	1.00
F6FP042	-	1.02	1.04	0.98

<b>Furnaces</b>	<b>Coils</b>	<b>T.C.</b>	<b>S.C.</b>	<b>KW</b>
T*(8,L)X*A12	FC/MC/PC37A	1.01	1.02	0.98
T*(8,L)X*B12	FC/MC/PC43B	1.01	1.02	0.98
T*(8,L)X*C16	FC/MC/PC43C	1.01	1.00	0.96
T*(8,L)X*C20	FC/MC/PC43C	1.02	1.03	0.96
T*9X*B12	FC/MC/PC43B	1.01	1.02	0.98
T*9X*C16	FC/MC/PC43C	1.01	1.02	0.98
T*9X*C20	FC/MC/PC43C	1.00	0.99	0.96
T*(8,L)X*C16	FC/MC/PC48C	1.02	1.02	0.97
T*(8,L)X*C20	FC/MC/PC48C	1.02	1.04	0.98
T*9X*C16	FC/MC/PC48C	1.02	1.04	0.98
T*9X*C20	FC/MC/PC48C	1.01	1.01	0.97
T*9X*D20	FC/MC/PC48D	1.01	1.01	0.97
T*(8,L)X*C16	UC48C	0.98	1.00	0.93
T*(8,L)X*C20	UC48C	0.99	1.02	0.95
T*9X*C16	UC48C	0.99	1.00	0.97
T*9X*C20	UC48C	0.97	0.99	0.95
T*9X*D20	UC48D	0.97	0.99	0.95

<b>COOLING PERFORMANCE DATA</b>																
<b>AIR CONDITIONER MODEL NO.</b>		<b>YCJD42S4(3,4)S3</b>														
<b>INDOOR COIL MODEL NO.</b>		<b>FC/MC/PC43</b>														
<b>CONDENSING ENTERING AIR TEMPERATURE</b>	IDCFM	1200					1400					1600				
	ID DB (°F)	80	80	75	80	80	80	80	75	80	80	80	80	75	80	80
	ID WB (°F)	57	62	62	67	72	57	62	62	67	72	57	62	62	67	72
65	T.C.	44.4	45.5	43.6	47.0	48.5	45.9	46.5	45.0	48.5	49.8	47.5	47.5	46.5	50.1	51.1
	S.C.	41.5	35.6	29.7	28.7	21.5	42.9	37.5	31.4	30.2	22.9	44.4	39.4	33.2	31.7	24.3
	KW	2.5	2.5	2.5	2.5	2.5	2.5	2.5	2.5	2.5	2.6	2.5	2.5	2.5	2.5	2.6
75	T.C.	42.3	42.9	41.2	45.1	46.6	44.2	44.3	42.7	46.6	47.9	46.0	45.7	44.2	48.1	49.1
	S.C.	39.4	35.2	29.2	28.5	21.3	41.1	37.4	31.1	30.1	22.4	42.9	39.7	33.0	31.8	23.6
	KW	2.7	2.7	2.7	2.8	2.8	2.7	2.7	2.7	2.8	2.8	2.8	2.8	2.8	2.8	2.9
85	T.C.	40.2	40.3	38.9	43.3	44.6	42.4	42.1	40.4	44.7	45.9	44.6	43.9	41.9	46.0	47.2
	S.C.	37.2	34.7	28.7	28.2	21.2	39.3	37.3	30.8	30.0	22.0	41.5	40.0	32.9	31.8	22.9
	KW	3.0	3.0	3.0	3.0	3.1	3.0	3.0	3.0	3.1	3.1	3.0	3.0	3.0	3.1	3.1
95	T.C.	38.2	37.7	36.5	41.5	42.7	40.7	39.9	38.0	42.0	44.0	43.2	42.1	39.6	43.9	45.3
	S.C.	35.0	34.3	28.1	28.0	21.0	37.5	37.3	30.5	29.4	21.6	40.0	40.3	32.8	31.9	22.2
	KW	3.2	3.2	3.2	3.3	3.4	3.3	3.3	3.3	3.3	3.4	3.3	3.3	3.3	3.4	3.4
105	T.C.	35.3	34.7	32.8	37.4	38.7	37.5	36.7	34.2	38.6	39.8	39.8	38.8	35.6	39.8	40.9
	S.C.	32.3	32.1	26.5	26.4	19.6	34.5	34.5	28.8	28.4	20.4	36.7	37.0	31.1	30.5	21.2
	KW	3.5	3.5	3.5	3.6	3.7	3.5	3.5	3.5	3.6	3.7	3.6	3.6	3.5	3.6	3.7
115	T.C.	32.4	31.7	29.2	33.4	34.8	34.5	33.6	30.5	34.6	35.7	36.5	35.5	31.8	35.7	36.7
	S.C.	29.7	30.0	25.0	24.9	18.2	31.6	31.9	27.2	27.0	19.3	33.5	33.8	29.4	29.1	20.3
	KW	3.7	3.7	3.7	3.8	4.0	3.8	3.8	3.7	3.8	4.0	3.8	3.8	3.7	3.9	4.0
125	T.C.	29.6	28.8	25.6	29.4	30.9	31.4	30.5	26.8	30.5	31.7	33.2	32.2	28.0	31.7	32.5
	S.C.	27.1	27.9	23.5	23.4	16.8	28.7	29.3	25.6	25.6	18.1	30.2	30.6	27.6	27.8	19.4
	KW	4.0	4.0	3.9	4.0	4.2	4.0	4.0	4.0	4.1	4.3	4.1	4.1	4.0	4.1	4.3

**NOTE:** ALL CAPACITIES INCLUDE INDOOR FAN HEAT AT 1250 BTUH/1000 CFM.

#### Multipliers for determining the performance with other indoor sections.

**NOTE:** For dry bulb temperatures different than those listed (between 73-87 F), sensible capacity increases by 1060 BTUH per 1000 CFM per degree above the listed temperature and decreases by 1060 BTUH per 1000 CFM per degree below the listed temperature.

<b>Air Handlers</b>	<b>Coils</b>	<b>T.C.</b>	<b>S.C.</b>	<b>KW</b>
-	FC/MC/PC48	1.00	1.00	1.00
-	HC42	1.00	1.00	1.00
-	UC48	1.00	1.00	1.00
AHP42	-	0.97	1.00	0.97
AHX42	-	1.00	1.02	0.92
AV*48	-	1.01	1.02	0.92
AV*60	-	1.00	1.02	0.92
MA16C	FC/MC43C	1.00	1.00	1.00
MA14D	FC/MC48D	1.00	1.00	1.00
MA16C	FC/MC48C	1.00	1.00	1.00
F5FP048	-	1.00	1.00	1.00
F6FP042	-	1.00	1.03	0.94
F6FP048	-	0.99	1.01	0.93

<b>Furnaces</b>	<b>Coils</b>	<b>T.C.</b>	<b>S.C.</b>	<b>KW</b>
T*(8,L)X*B12	FC/MC/PC43B	1.00	0.99	0.96
T*(8,L)X*C16	FC/MC/PC43C	1.00	1.02	0.96
T*(8,L)X*C20	FC/MC/PC43C	1.00	1.01	0.96
T*9X*B12	FC/MC/PC43B	1.00	0.99	0.96
T*9X*C16	FC/MC/PC43C	1.00	1.02	1.00
T*9X*C20	FC/MC/PC43C	1.00	1.02	1.00
T*(8,L)X*C16	FC/MC/PC48C	1.00	1.01	0.96
T*(8,L)X*C20	FC/MC/PC48C	1.00	1.03	0.96
T*9X*C16	FC/MC/PC48C	1.00	1.00	0.96
T*9X*C20	FC/MC/PC48C	1.00	1.00	0.96
T*9X*D20	FC/MC/PC48D	1.00	1.02	0.96
T*(8,L)X*C16	UC48C	1.00	1.01	1.00
T*(8,L)X*C20	UC48C	1.00	1.03	1.00
T*9X*C16	UC48C	0.99	1.00	0.99
T*9X*C20	UC48C	1.00	1.01	1.00
T*9X*D20	UC48D	1.00	1.01	1.00

<b>COOLING PERFORMANCE DATA</b>																
<b>AIR CONDITIONER MODEL NO.</b>		<b>YCJD48S4(3,4)S3</b>														
<b>INDOOR COIL MODEL NO.</b>		<b>FC/MC/PC48</b>														
<b>CONDENSING ENTERING AIR TEMPERATURE</b>	<b>IDCFM</b>	<b>1400</b>					<b>1600</b>					<b>1800</b>				
	<b>ID DB (°F)</b>	80	80	75	80	80	80	80	75	80	80	80	80	75	80	80
	<b>ID WB (°F)</b>	57	62	62	67	72	57	62	62	67	72	57	62	62	67	72
65	T.C.	49.7	51.4	50.6	55.8	54.6	52.0	53.1	51.9	56.4	55.4	54.4	54.7	53.2	56.9	56.3
	S.C.	47.2	43.1	35.9	36.0	26.1	49.2	45.9	38.2	37.4	27.6	51.2	48.7	40.4	38.8	29.0
	KW	2.7	2.8	2.8	2.8	2.8	2.7	2.8	2.8	2.8	2.8	2.7	2.8	2.8	2.8	2.9
75	T.C.	47.5	48.6	47.7	52.9	52.4	49.8	50.3	48.9	53.6	53.1	52.0	52.1	50.2	54.3	53.8
	S.C.	44.9	42.0	35.0	34.9	25.4	47.0	44.8	37.1	36.5	26.8	49.0	47.6	39.3	38.2	28.1
	KW	3.0	3.0	3.0	3.1	3.1	3.0	3.0	3.0	3.1	3.2	3.0	3.0	3.0	3.1	3.2
85	T.C.	45.4	45.8	44.8	49.9	50.2	47.5	47.6	46.0	50.8	50.8	49.7	49.4	47.1	51.7	51.4
	S.C.	42.7	41.0	34.0	33.8	24.8	44.7	43.7	36.1	35.7	26.0	46.8	46.5	38.2	37.6	27.2
	KW	3.2	3.3	3.3	3.4	3.4	3.3	3.3	3.3	3.4	3.5	3.3	3.3	3.3	3.4	3.5
95	T.C.	43.2	42.9	42.0	47.0	47.9	45.3	44.9	43.1	48.0	48.4	47.4	46.8	44.1	49.1	48.9
	S.C.	40.4	39.9	33.0	32.7	24.1	42.4	42.6	35.1	34.6	25.2	44.5	45.4	37.1	37.0	26.3
	KW	3.5	3.5	3.5	3.6	3.7	3.6	3.6	3.5	3.7	3.8	3.6	3.6	3.6	3.7	3.8
105	T.C.	39.8	39.4	37.3	42.4	43.6	41.6	41.1	38.4	43.4	44.0	43.5	42.9	39.5	44.4	44.5
	S.C.	37.1	37.0	30.9	30.9	22.9	38.9	39.3	32.9	33.0	23.9	40.8	41.5	34.9	35.1	25.0
	KW	3.8	3.8	3.8	3.9	4.0	3.9	3.9	3.8	3.9	4.1	3.9	3.9	3.8	4.0	4.1
115	T.C.	36.5	35.9	32.7	38.0	39.3	38.1	37.5	33.9	38.9	39.8	39.7	39.1	35.1	39.8	40.2
	S.C.	33.9	34.2	28.9	29.2	21.6	35.5	36.0	30.9	31.3	22.7	37.2	37.7	32.8	33.3	23.8
	KW	4.1	4.1	4.0	4.2	4.3	4.1	4.1	4.1	4.2	4.4	4.2	4.2	4.1	4.2	4.4
125	T.C.	33.1	32.4	28.1	33.5	35.1	34.5	33.8	29.4	34.4	35.5	35.9	35.3	30.6	35.2	36.0
	S.C.	30.7	31.4	26.9	27.5	20.4	32.1	32.7	28.8	29.6	21.5	33.5	34.0	30.7	31.6	22.5
	KW	4.4	4.4	4.3	4.4	4.6	4.4	4.4	4.3	4.5	4.7	4.5	4.5	4.4	4.5	4.7

**NOTE:** ALL CAPACITIES INCLUDE INDOOR FAN HEAT AT 1250 BTUH/1000 CFM.

#### Multipliers for determining the performance with other indoor sections.

**NOTE:** For dry bulb temperatures different than those listed (between 73-87 F), sensible capacity increases by 1060 BTUH per 1000 CFM per degree above the listed temperature and decreases by 1060 BTUH per 1000 CFM per degree below the listed temperature.

<b>Air Handlers</b>	<b>Coils</b>	<b>T.C.</b>	<b>S.C.</b>	<b>KW</b>
-	FC/MC/PC60	1.00	1.00	1.00
-	HC60	1.00	1.00	1.00
-	UC48	1.00	1.00	1.00
-	UC60	1.00	1.00	1.00
AHP/SHP48	-	1.00	1.00	1.00
AHP/SHP60	-	1.00	1.01	1.00
AHX48	-	1.00	1.03	0.96
AV*48	-	1.00	1.03	0.96
AV*60	-	1.00	1.01	0.91
MA16C	FC/MC48C	1.00	1.00	1.00
MA20D	FC/MC48D	1.00	1.00	1.00
MA16C	FC60C	1.00	1.00	1.00
MA20D	FC/MC60D	1.00	1.00	1.00
F5FP048	-	1.00	1.00	1.00
F5FP060	-	1.00	1.00	1.00

F6FP048	-	0.98	1.01	0.95
---------	---	------	------	------

<b>Furnaces</b>	<b>Coils</b>	<b>T.C.</b>	<b>S.C.</b>	<b>KW</b>
T*(8,L)X*C16	FC/MC/PC48C	1.00	1.00	1.00
T*(8,L)X*C20	FC/MC/PC48C	1.00	1.00	1.00
T*9X*C16	FC/MC/PC48C	1.00	1.01	1.00
T*9X*C20	FC/MC/PC48C	1.00	1.00	1.00
T*9X*D20	FC/MC/PC48D	1.00	1.01	1.00
T*(8,L)X*C16	FC/PC60C	1.00	1.01	1.00
T*(8,L)X*C20	FC/MC/PC60D	1.00	1.01	1.00
T*9X*C16	FC/PC60C	1.00	1.01	1.00
T*9X*C20	FC/PC60C	0.98	1.01	0.98
T*9X*D20	FC/MC/PC60D	0.99	0.98	0.99
T*9X*C16	FC/PC60C	0.98	0.98	0.98
T*9X*C20	FC/PC60C	0.98	0.98	0.98

<b>COOLING PERFORMANCE DATA</b>																
<b>AIR CONDITIONER MODEL NO.</b>		<b>YCJD60S4(3,4)S3</b>														
<b>INDOOR COIL MODEL NO.</b>		<b>FC/MC/PC60</b>														
<b>CONDENSING ENTERING AIR TEMPERATURE</b>	IDCFM	1400					1600					1800				
	ID DB (°F)	80	80	75	80	80	80	80	75	80	80	80	80	75	80	80
	ID WB (°F)	57	62	62	67	72	57	62	62	67	72	57	62	62	67	72
65	T.C.	55.8	63.8	62.1	65.2	71.9	60.3	65.7	62.8	66.7	69.8	64.8	67.5	63.5	68.2	67.8
	S.C.	54.7	51.6	41.4	41.1	34.1	58.4	54.2	43.9	42.6	31.9	62.1	56.8	46.5	44.2	29.6
	KW	3.0	3.0	3.0	3.1	3.1	3.0	3.0	3.0	3.1	3.1	3.0	3.1	3.0	3.1	3.1
75	T.C.	56.9	61.1	58.9	62.7	69.7	59.2	63.0	59.9	64.3	67.9	61.4	64.9	61.0	65.9	66.0
	S.C.	53.9	50.4	40.5	40.0	33.5	55.8	53.1	43.1	41.8	31.5	57.7	55.7	45.6	43.6	29.5
	KW	3.4	3.5	3.5	3.5	3.6	3.4	3.5	3.5	3.5	3.5	3.5	3.5	3.5	3.5	3.5
85	T.C.	58.0	58.4	55.7	60.3	67.6	58.0	60.4	57.1	61.9	65.9	58.1	62.4	58.5	63.6	64.1
	S.C.	53.2	49.3	39.7	39.0	32.9	53.3	52.0	42.2	41.0	31.2	53.4	54.7	44.8	42.9	29.4
	KW	3.9	3.9	3.9	3.9	4.0	3.9	3.9	3.9	3.9	4.0	3.9	3.9	3.9	3.9	4.0
95	T.C.	59.1	55.7	52.5	56.9	65.5	56.9	57.8	54.3	57.0	63.9	54.7	59.8	56.0	61.2	62.2
	S.C.	52.4	48.1	38.8	37.9	32.3	50.7	50.9	41.4	38.8	30.8	49.0	53.6	43.9	42.3	29.4
	KW	4.3	4.3	4.3	4.4	4.5	4.3	4.3	4.3	4.4	4.4	4.3	4.3	4.3	4.4	4.4
105	T.C.	56.4	52.2	48.8	54.0	60.1	54.0	54.3	50.5	55.7	59.7	51.6	56.3	52.2	57.4	59.4
	S.C.	49.7	45.9	37.5	36.5	29.7	47.9	48.3	40.0	38.7	29.4	46.2	50.6	42.5	40.9	29.0
	KW	4.9	4.9	4.9	4.9	5.0	4.9	4.9	4.9	5.0	5.0	4.9	4.9	4.9	5.0	5.0
115	T.C.	53.8	48.8	45.2	50.2	54.8	51.2	50.9	46.8	51.9	55.7	48.7	53.0	48.5	53.6	56.6
	S.C.	47.1	43.8	36.2	35.0	27.3	45.3	45.7	38.6	37.3	27.9	43.5	47.7	41.1	39.6	28.6
	KW	5.5	5.4	5.4	5.5	5.6	5.5	5.5	5.4	5.5	5.6	5.4	5.5	5.4	5.5	5.6
125	T.C.	51.2	45.4	41.6	46.5	49.4	48.5	47.5	43.2	48.2	51.6	45.7	49.7	44.8	49.8	53.8
	S.C.	44.5	41.7	34.9	33.6	24.9	42.6	43.2	37.3	35.9	26.5	40.7	44.7	39.7	38.3	28.2
	KW	6.1	6.0	5.9	6.1	6.2	6.0	6.0	6.0	6.1	6.2	6.0	6.0	6.0	6.1	6.2

**NOTE:** ALL CAPACITIES INCLUDE INDOOR FAN HEAT AT 1250 BTUH/1000 CFM.

#### Multipliers for determining the performance with other indoor sections.

**NOTE:** For dry bulb temperatures different than those listed (between 73-87 F), sensible capacity increases by 1060 BTUH per 1000 CFM per degree above the listed temperature and decreases by 1060 BTUH per 1000 CFM per degree below the listed temperature.

<b>Air Handlers</b>	<b>Coils</b>	<b>T.C.</b>	<b>S.C.</b>	<b>KW</b>
-	FC/MC62	1.00	1.00	1.00
-	HC60	1.00	1.00	1.00
-	UC60	1.00	1.00	1.00
AHP/SHP60	-	1.00	1.00	1.00
AHX60	-	1.00	1.00	0.98
AV*60	-	1.00	1.01	1.00
MA20D	FC/MC60D	1.00	1.00	1.00
MA20D	FC/MC62D	1.00	1.00	1.00
F5FP060	-	1.00	1.00	1.00
F6FP060	-	1.00	1.00	0.96

<b>Furnaces</b>	<b>Coils</b>	<b>T.C.</b>	<b>S.C.</b>	<b>KW</b>
T*(8,L)X*C16	FC/PC60C	0.99	0.98	0.99
T*(8,L)X*C20	FC/MC/PC60D	1.00	0.98	1.00
T*9X*C16	FC/PC60C	0.98	0.98	0.98
T*9X*C20	FC/PC60C	0.98	0.98	0.98
T*9X*D20	FC/MC/PC60D	0.99	0.98	0.99
T*9X*C20	FC/MC/PC60D	0.99	0.98	0.99
T*(8,L)X*C20	FC/MC62D	1.00	0.98	1.00
T*(8,L)X*C16	UC60C	0.98	0.97	0.98
T*(8,L)X*C20	UC60D	0.99	1.00	0.99
T*9X*C16	FC/PC60C	0.98	0.97	0.98
T*9X*C20	FC/PC60C	0.98	0.97	0.98
T*9X*D20	UC60D	0.98	0.97	0.98
T*(8,L)X*C20	UC60D	0.99	1.00	0.99
T*9X*C20	UC60D	0.98	0.97	0.98

# NOTES