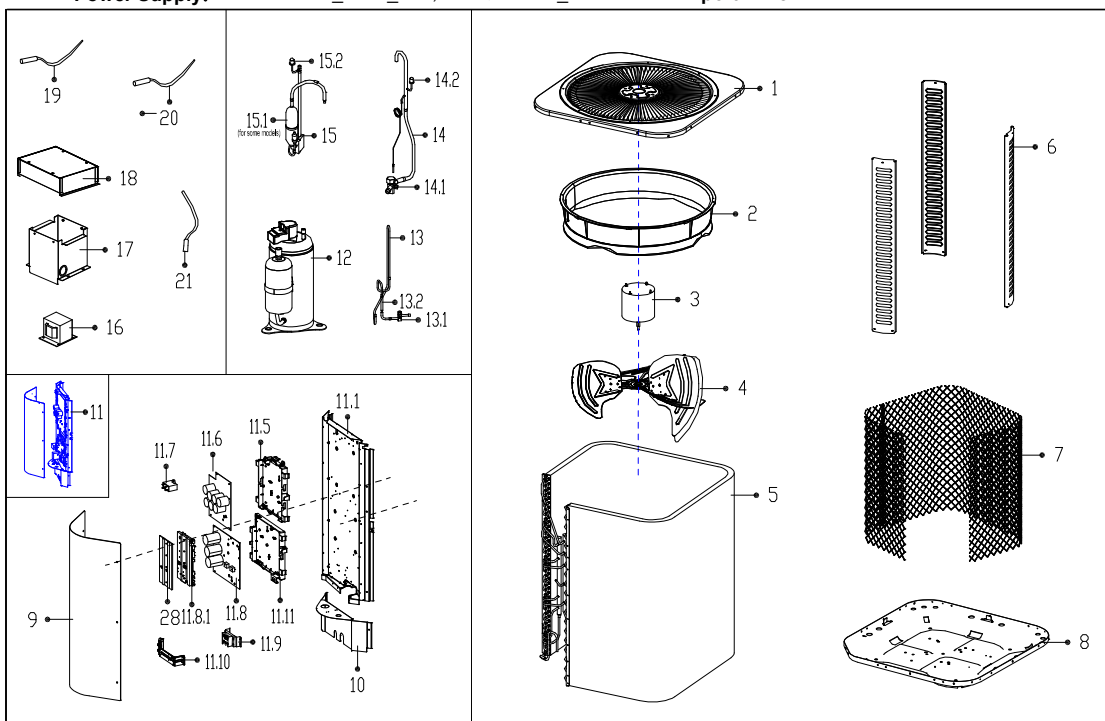


Midea RAC Exploded View

Sale Model: MOV-36CDN1-N
Factory Model: SA-KF105W/BP2T1N1-543V
Product Name: 62227-17536115
Power Supply: 220_230V_1Ph,FREQUENCY_60HZ **Export Time:** 2016-04-27 16:39:34



序号	零部件名称		数量	物料编码		备注
No.	Chinese Name	Part Name	Quantity	BOM Code	s.p.	Remark
1	201275790093	顶盖部件(SB201 Top cover assembly	1	12223100000293	\$ 23.23	
2	导风圈	RoHS UL-KF90W/N1-5- Ventilation ring	1	12123000000246	\$ 6.50	
3	202400401648	单相异步电机 Rr Asynchronous motor	1	11002012000612	\$ 71.64	
4	201200390014	轴流风叶 RoHS Axial flow fan	1	12200104000003	\$ 23.41	
5	冷凝器部件	RoHS SA-KF160W Condenser assembly	1	15823100000083	\$ 111.79	
6	201275890071	支撑条(SB2014, Supporting board	3	12223100000010	\$ 3.11	SA-KF160W-543V-1(G)
6	201275790188	顶盖支撑条(SB3 Supporting board	1	12223100000053	\$ 6.73	SA-KF140W-542V-2
7	201175890002	后网 RoHS SA-KF Rear net	1	12123100000002	\$ 2.34	
8	201275590291	底盘部件(SB201 Chassis assembly	1	12223100000089	\$ 26.33	
9	201275890168	顶出风上侧板部 Side board	1	12222200000717	\$ 8.00	
10	201275290200	下侧板(SB2014) Underside board assembly	1	12222200000618	\$ 2.56	
11	外销变频室外电控盒组件	RoHS Electronic control box assembly	1	17223100000227	\$ 148.41	
11.1	电控安装板部件	SB2014,灰色8 Installation plate of electric parts assembl	1	12222000007024	\$ 13.14	
11.5	电控安装盒	本色 RoHS SA-KF1 Installation plate of main control board	1	12123100000004	\$ 2.76	
11.6	外销变频室外主控板组件	RoHS Main control board assembly	1	17123100000044	\$ 45.21	
11.7	电容(VDE)	RoHS 6UF/450V Capacitor	1	17400101000026	\$ 1.70	6UF/450V
11.8	变频室外模块组件	RoHS SA-KF Inverter control board assembly	1	17123100000046	\$ 118.49	
11.8.1	散热器	RoHS SRQ78*40*2.5-Al Radiator	1	11203803001396	\$ 0.70	
11.8.1	散热器	RoHS SA-KF105W/BP2 Radiator	1	11203803001496	\$ 10.47	
11.9	接线座(整改,原编码223014500)	Wire joint	1	17400401000021	\$ 0.87	JXZ-AZ4HG1-A(RS9101-4/YF2001/J
11.9	接线座(整改,原编码223014501)	Wire joint	1	17400401000022	\$ 0.77	JXZ-AZ3HG1-A(RS9101/YF2001/JX
11.10	端子安装板	RoHS SA-KF160W, Terminal Installing Plate	1	12223100000492	\$ 0.40	

11.11	电控安装盒 本色 RoHS SA-KF1 Installation plate of main control board	1	12123100000005	\$	3.30	
12	变频旋转式压缩机 ATF250D22I Compressor	1	11103020000319	\$	177.26	
13	高压阀部件 RoHS SA-KF105W.Liquid valve assembly	1	15423100000085	\$	12.80	
13.1	201601600312方体阀 RoHS F1 Valve body	1	15500206000009	\$	7.26	
13.2	201600801529节流阀 RoHS JL Electronic expansion valve or Throttle va	1	15500210000211	\$	2.01	JLF(G)-060-W8-N6
14	低压阀部件 SA-KF105W/BP2T Gas valve assembly	1	15423100000084	\$	24.11	
14.1	201601600313方体阀 RoHS F1 Valve body	1	15500206000003	\$	14.21	
14.2	压力控制器(有墩口) RoHS YK-C Pressure switch	1	17400516000008	\$	4.49	
15	压缩机排气管部件 SA-KF105W Discharge pipe assembly	1	15123100000264	\$	11.69	
15.2	202301820038压力控制器 RoH Pressure switch	1	17400516000020	\$	4.76	
16	电抗器 RoHS R25027(AL)(J) Inductance or Reactor	1	17400306000058	\$	13.26	
17	201275890165电感安装座 SB2 Inductor Box Subassembly	1	12222200000007	\$	0.87	
18	201275890163电感盖组件 SB2 Inductance cover assembly	1	12222200000319	\$	0.83	
19	管温传感器 RoHS CGQ-WD/G\ Pipe temperature sensor assembly	1	11201007000011	\$	1.27	
20	排气温度传感器 RoHS CGQ-W Discharge temperature sensor assembly	1	11201007000082	\$	1.27	
21	202301300476室温传感器 RoH Ambient temperature sensor assembly	1	11201007000039	\$	0.61	
28	散热器 RoHS SRQ192*99*3-Alt Radiator	1	11203803001038	\$	3.87	