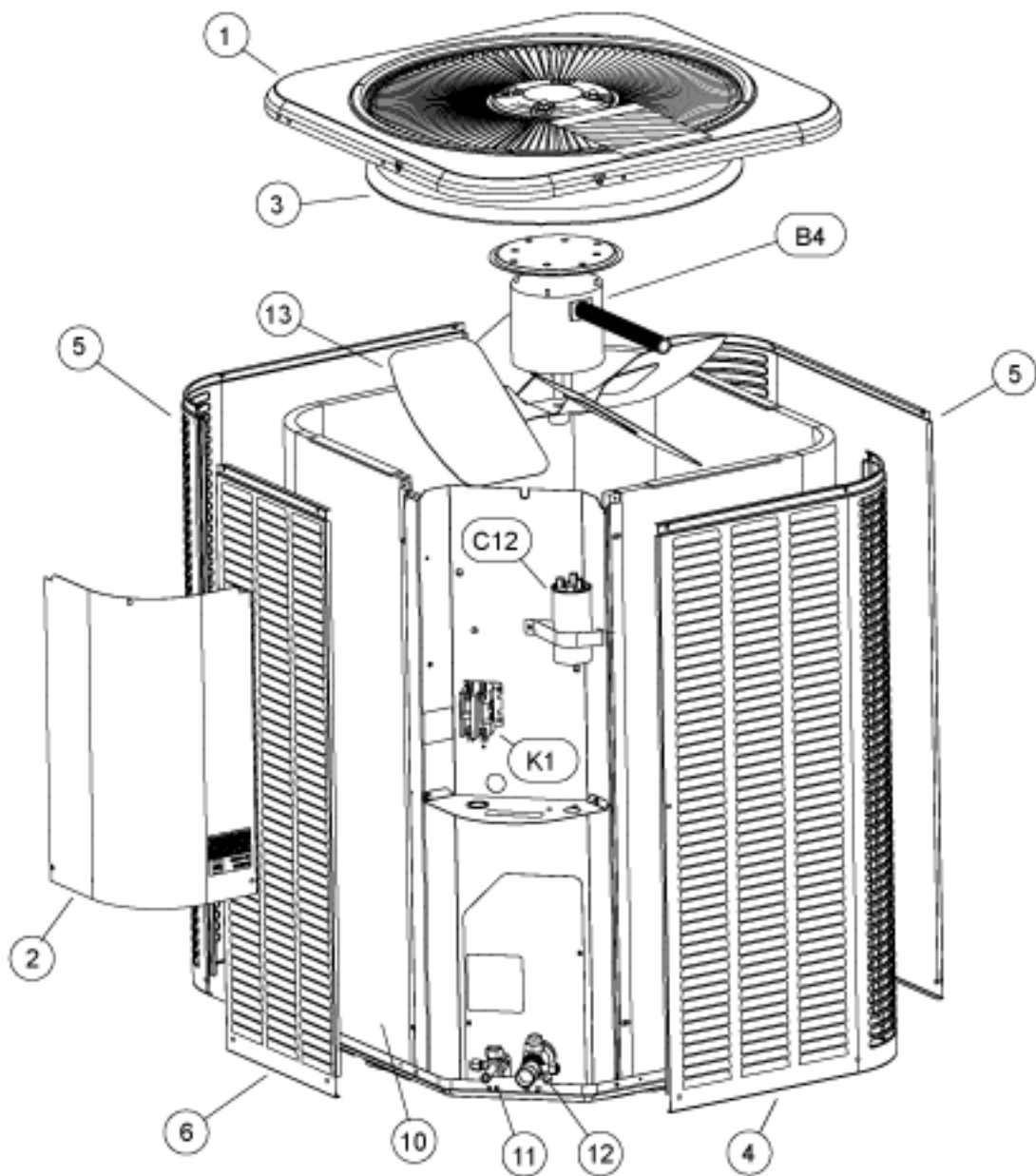
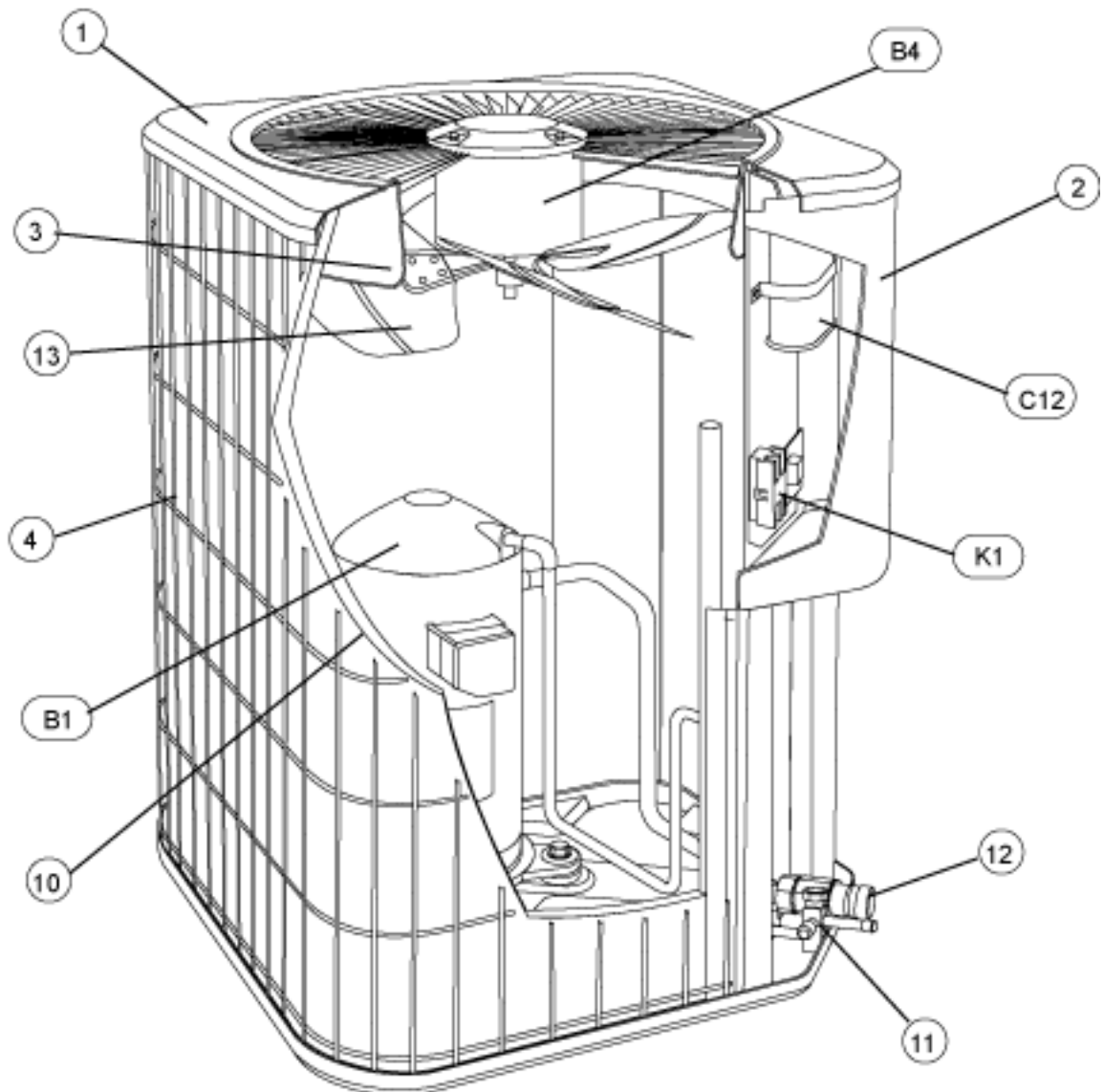


### 14ACX W/LOUVERED PANELS



### 14ACX SERIES



14ACX-018-230				DASH/Revision # with Qty				
Key	Part Name	Part Number	Description	1	2	10	11	12
Category:CABINET PARTS								
1	PANEL-TOP	102076-01	PANEL - TOP 24 X 24			1		
1	PANEL-TOP	LB-86265G	TOP PANEL (24X24)(QUARTZ GRAY)	1	1			
1	PANEL-TOP 24 X 24	102420-01	PANEL-TOP 24 X 24				1	
1	PANEL-TOP 24 X 24	102876-01	PANEL-TOP 24 X 24					1
2	COVER-CONTROL BOX	102073-01	COVER - CONTROL PANEL			1	1	1
2	COVER-CONTROL BOX	LB-86271G	COVER-CONTROL PANEL (QUARTZ GRAY)	1	1			
3	ORIFICE	100001-03	"18"***	1	1	1	1	1
4	GUARD- COIL	100315-02	OUTDOOR COIL	1	1	1		
4	PANEL - LOUVER (RIGHT)	603153-02	RIGHT				1	1
	COVER	102098-01	PATCH PLATE			1		
	COVER	69J0301	SOUND-COMPRESSOR (OPTIONAL)	1	1	1	1	1
	LEG	LB-87156A	BASE(SET OF 4)	1	1	1	1	1
	MESHING-COIL	100231-09	"36" X 90" (CUT OT FIT)"	1	1	1		
	NUT-CAP	100094-01	TOP PANEL	4	4	4	4	4
	PATCH PLATE (QUARTZ GRAY)	28W62	PATCH PLATE				1	
	PLATE-PATCH	103256-01	PLATE-PATCH					1
	PUSH PIN-MESHING	100230-05	PIN: PUSH			6		
	PUSH PIN-MESHING	R100230-01	PIN-PUSH	6	6			
5	PANEL - LOUVER (CENTER)	603154-02	CENTER				2	2
6	PANEL - LOUVER (LEFT)	603155-02	LEFT				1	1
Category:COOLING PARTS								
10	COIL-OUTDOOR	60W10	W/MANIFOLD				1	
10	COIL-OUTDOOR	LB-87170DA	W/MANIFOLD	1				
10	COIL-OUTDOOR	LB-87170DK	W/MANIFOLD		1	1		1

14ACX-018-230				DASH/Revision # with Qty				
Key	Part Name	Part Number	Description	1	2	10	11	12
	KIT	100484-06	RFC (.053)	1	1	1	1	1
11	VALVE-SERVICE	100432-01	"LIQUID-LINE,3/8""	1	1	1	1	1
12	VALVE-SERVICE	100432-02	"SUCTION LINE,3/4""	1	1	1	1	1
13	FAN	100060-07	"1/2""BORE,18""DIA,3BLADE"		1	1	1	1
13	FAN	100060-08	"1/2""BORE,18""DIA,4 BLADE"	1				
B1	COMPRESSOR	100040-01	"1.5 TON,208-230/60/1,COPE (FO OTNOTE 1)	1	1	1	1	1
			RELAY-OVERLOADCOMP-INTERNAL	1	1	1	1	1
	HARNESS-COMP	15M3501	MOLDED PLUG	1	1	1	1	1
	MOUNT PKG-COMP	15J1301PR	MOUNT PKG-COMP	1	1	1	1	1
B4	MOTOR-FAN	100483-02	"1/5HP,1075RPM,208-230/60/1" ( NOTE 2)	1				
B4	MOTOR-FAN	100483-04	"1/10HP,1075RPM,208-230/60/1"		1			
B4	MOTOR-FAN	100483-23	"1/10HP,1075RPM,208-230/60/1"			1	1	1
	CORE-VALVE	100210-01	CORE - VALVE	1	1	1	1	1
	DRIER	100214-03	"LIQUID LINE (FOOTNOTE 1)"	1	1	1	1	1
	DRIER	88K4401	SUCTION LINE (OPTIONAL)	1	1	1	1	1
	FITTING-PRESS TAP	100520-01	PRESSURE TAP	1	1	1	1	1
HR1	HEATER-CRANKCASE	100499-01	"40 WATT, 240 VOLT (OPTIONAL)"	1	1	1	1	1
S4	SWITCH-HI PRESS-AU TO	100087-01	CUTOUT 590 PSIG					1
S4	SWITCH-HI PRESS-MA NUAL	100103-03	CUTOUT 590 PSIG	1	1	1	1	
Category:INTERLINK ALTERNATE FOR COPELAND COMP.								
	CAPACITOR-FAN&RUN	100335-06	CAPACITOR-FAN&RUN 35 / 5 MFD @ 440V ROUN	1	1	1	1	1
	COMPRESSOR	101995-08	COMPRESSOR APA016KAA W/HARNESS	1	1	1	1	1
	COVER-THERMAL SWIT CH	103048-02	THERMAL SWITCH COVER ASSEMBLY (REPAIR)	1	1	1	1	1
	HARNESS-COMP (REPA IR)	102111-01	HARNESS -WIRE	1	1	1	1	1
	SWITCH-THERMAL	103048-01	THERMAL SWITCH ASSEMBLY (REPAI R)	1	1	1	1	1

14ACX-018-230				DASH/Revision # with Qty				
Key	Part Name	Part Number	Description	1	2	10	11	12
ST KIT	START-KIT	LB-31200BM	INC NEXT 2 PARTS	1	1	1	1	1
	CAPACITOR-START	47A6001	88MFD,330VAC	1	1	1	1	1
	RELAY-POTENTIAL	P-8-3577	SPNC	1	1	1	1	1
Category:CONTROL PANEL PARTS								
C12	CAPACITOR-DUAL	100335-03	"30+5MFD,440VAC"	1	1	1	1	1
K1	CONTACTOR	100438-01	"SPST,24V"	1	1	1	1	1
Category:*OPTIONAL PARTS-FIELD INSTALLED								
LC KIT	LOSS OF CHARGE KIT	LB-110135A	INC NEXT 3 PARTS	1	1	1	1	1
	SEAL CAP	100275-01	1/4 INCH FLARE SEAL CAP	1	1	1	1	1
	SWITCH-PRESS	100216-01	"IN 55+5PSIG,OUT 25+5PSIG"	1	1	1	1	1
	TEE	P-8-10569	VALVE DEPRESSOR TEE	1	1	1	1	1
ST KIT	START-KIT	LB-31200BM	INC NEXT 2 PARTS	1	1	1	1	1
	CAPACITOR-START	47A6001	"88MFD,330VAC"	1	1	1	1	1
	RELAY-POTENTIAL	P-8-3577	SPNC	1	1	1	1	1

NOTE

FOOTNOTE 1 Compressor uses POE oil. The filter drier MUST BE replaced at time of compressor change. Please advise customer of this req