



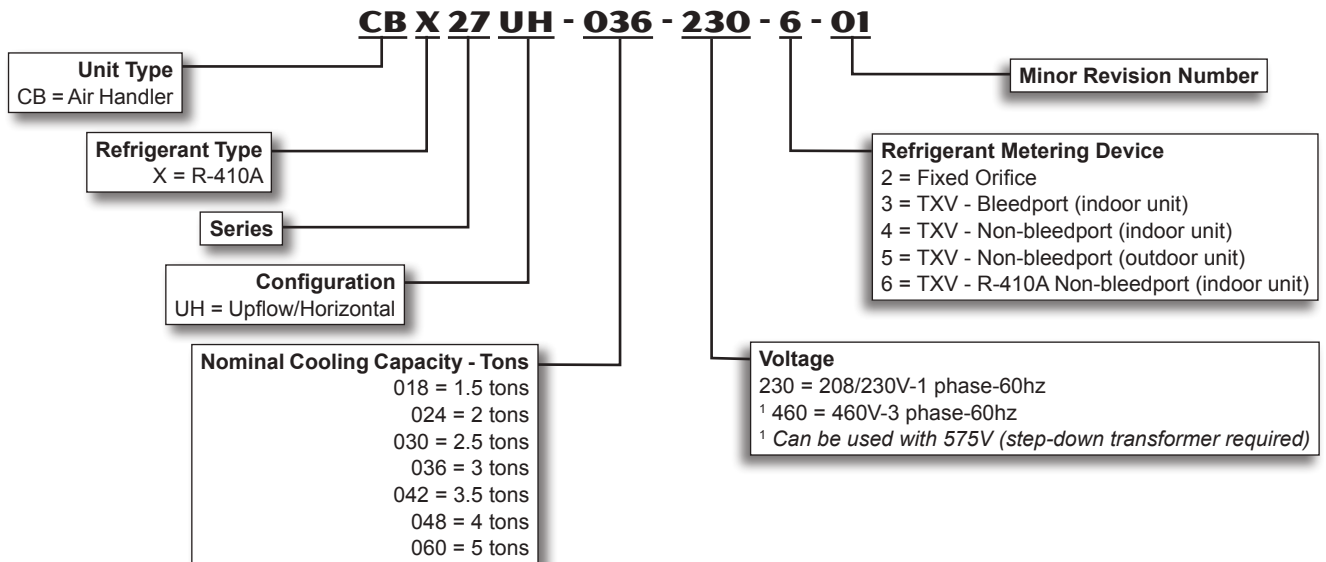
PRODUCT SPECIFICATIONS

Bulletin No. 210581
October 2017
Supersedes April 2017



Nominal Capacity - 1.5 to 5 Tons
Optional Electric Heat - 2.5 to 25 kW

MODEL NUMBER IDENTIFICATION



FEATURES

CONTENTS

Blower Data	8
Dimensions	21
Electrical Data.....	6
Electric Heat Data.....	10
Features.....	2
Installation Clearances With Electric Heat.....	5
Model Number Identification	1
Optional Accessories	6
Replacement Circuit Breakers.....	9
Specifications.....	6

WARRANTY

All covered components - five years in residential applications, one year in non-residential applications. Refer to Lennox Limited Warranty Certificate included with each unit for additional details.

APPROVALS

Tested with matching air conditioners and heat pump units in the Lennox Research Laboratory environmental test room in accordance with AHRI Standard 210/240.

Optional electric heaters are rated in accordance with US Department of Energy (DOE) test procedures and Federal Trade Commission (FTC) labeling regulations.

Blower performance data according to unit tests conducted in Lennox air test chamber.

Air handlers are UL Listed to US and Canadian safety standards and components within are bonded for grounding to meet safety standards for servicing required by CEC and NEC.

Air handler units are approved for installation in manufactured housing and mobile homes.

ISO 9001 Registered Manufacturing Quality System.

APPLICATIONS

1.5 to 5 ton nominal sizes.

Upflow or horizontal applications. Downflow applications with optional conversion kit.

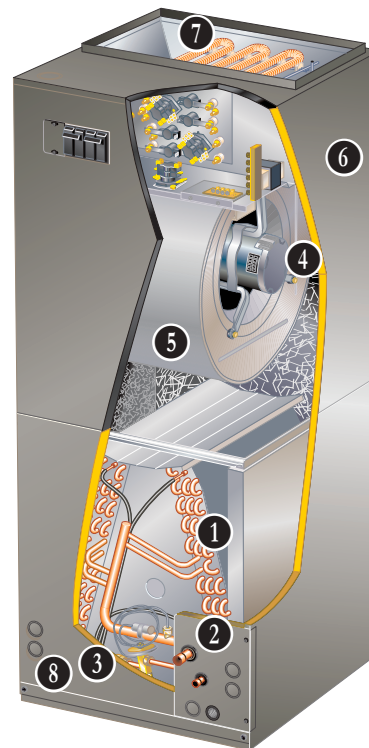
Applicable to expansion valve systems in cooling applications and check and expansion valve systems in heat pump applications.

Wide-range check and expansion valve is factory installed.

See bulletins in section Air Conditioners for cooling capacities.

See bulletins in section Heat Pump Outdoor Units for cooling and heating capacities.

Optional field installed electric heaters available in several sizes for additive heating capacity.



REFRIGERANT SYSTEM

- 1 Copper Tube/Enhanced Fin Indoor Coil**
Lennox designed and fabricated twin coils. Assembled in "A" configuration.
Provides extra large surface and contact area, excellent heat transfer and low air resistance for maximum efficiency.
Precise circuiting for uniform refrigerant distribution.
Precisely spaced ripple-edged aluminum fins fitted to durable seamless copper tubes.
Fins are strengthened to resist bending and are equipped with collars that grip tubing for maximum contact area.
Lanced fins provide maximum exposure of fin surface to air stream.
Long life copper tubing is easy to service.
Rifled tubing provides superior heat transfer.
Flared shoulder tubing joints and silver soldering provide tight, leakproof joints.
Coil thoroughly factory tested under high pressure to ensure leakproof construction.
- 2 Refrigerant Line Connections**
Suction (vapor) and liquid lines have sweat connections that extended outside of the cabinet for ease of connection.
See dimension drawings for locations.
- 3 Check and Expansion Valve Furnished**
For use with R-410A systems.
Wide range valve with Chatleff style fitting.
Factory installed on all models, internal to cabinet.



FEATURES

BLOWER

- 4 Power Saver™ Constant Torque Blower Motor**
Programmable high efficiency multi-speed blower motor. By maintaining constant torque output, blower motor can deliver more uniform (but not constant) airflow over the static pressure range.



Programmable multi-speed operation is achieved by the use of an ECM (Electronically Commutated Motor) motor.

Leadless blower motor features simple plug-in connections.

Choice of blower speeds is available. See Blower Data tables.

- 5** Blower speed change is easily accomplished by a simple wiring change.

Blower Assembly

Lennox designed and built, direct drive blower.

Each blower is statically and dynamically balanced as an assembly before installation in the unit.

Blower motor is resiliently mounted to blower assembly.

Blower slides out of cabinet for servicing.

6 CABINET

Constructed of heavy-gauge galvanized steel.

Completely insulated with thick fiberglass insulation.

Pre-painted steel cabinets have mildly textured enamel finish with primer coat on unpainted side of all panels.

Units are shipped in one piece but may be disassembled into two separate sections for ease of installation in tight applications. See dimension drawings.

Thick rubber gasket between sections of the two piece cabinets provides an air tight seal.

No external screw heads on sides of cabinet for tight installations without damage to walls or woodwork.

Removable panels provide complete service access.

Electrical inlets provided in sides and top of cabinet. See dimension drawings for locations.

Low Leakage Cabinet

All models have less than 2% air leakage and meet ANSI/ASHRAE Standard 193-2010 *“Method of Test for Determining the Air Tightness of HVAC Equipment”*.

Upflow/Horizontal Capability (Optional Downflow)

Shipped for upflow and horizontal left-hand discharge.

May be field converted to horizontal right-hand air discharge by repositioning horizontal drain pan.

Optional downflow kit available for field conversion.

Dual Position Drain Pans

Drain pans designed for upflow, downflow or horizontal applications.

Deep, corrosion resistant plastic drain pans have dual pipe drains.

See dimension drawings.

Optional Accessories

Downflow Combustible Flooring Floor Base

Base is required for models with electric heat installed in downflow position on combustible floors.

Downflow Conversion Kit

Required for field conversion to downflow position. Kit consists of drip shields and 2 brackets for repositioning coil and drain pan. See Specifications table.

Horizontal Support Frame Kit

Provides support of unit in horizontal applications.

Consists of (2) 1 x 1-1/2 x 32-5/8 in. and (2) 1 x 3 x 53-7/8 in. painted heavy gauge cold rolled steel support channels with assembly and suspending holes.

Bolts and nuts furnished for field assembly.

Suspending rods must be field provided.

Side Return Unit Stand (Upflow Only)

Raises unit 16 in. above floor for side return air duct connection.

Eliminates need for wooden platform construction.

All aluminum construction.

Two adjustable frames fit -018/024 thru -060 models.

Wall Hanging Bracket Kit (Upflow Only)

Allows unit to be hung on wall at any height.

Consists of heavy-gauge steel support brackets (one for air handler, one for wall mount).

Screws furnished for fastening one bracket to unit.

Bolts for fastening one bracket to wall are field provided.

High Performance Economizer (Commercial Applications Only)

Designed for applications requiring outdoor air to be utilized in a commercial HVAC system. Allows the entry of fresh outdoor air for free cooling, reducing the requirement for mechanical cooling.

Heavy gauge galvanized steel cabinet lined with thick fiberglass insulation.

Mixed air sensor, outdoor air sensor and 24VAC transformer furnished.

Approved for California Title 24 building standards.

ASHRAE 90.1-2010 compliant.

See separate Product Specifications bulletin for additional information and available control and sensor options.

FEATURES

CONTROLS

Transformer and Blower Cooling Relay

24 volt transformer with in-line fuse and blower cooling relay furnished as standard.

Factory installed in the unit control box.

Terminal strip furnished.

Optional Accessories

ComfortSense® 7500 Touchscreen Thermostat

Electronic 7-day, universal, multi-stage, programmable, touchscreen thermostat.

4 Heat/2 Cool.

Auto-changeover.

Controls humidity during cooling mode.

Offers enhanced capabilities including humidification / dehumidification / dewpoint measurement and control, Humiditrol® control, and equipment maintenance reminders.

Easy-to-use, menu driven thermostat with a back-lit, LCD touchscreen.

Remote outdoor temperature sensor (furnished with outdoor unit) allows the thermostat to display outdoor temperature. Required in dual-fuel and Humiditrol® applications.

See the ComfortSense® 7500 Product Specifications bulletin in the Controls section for more information.



Dehumidification Relay Kit

Required with ComfortSense® thermostat.

Provides dehumidification mode when used in conjunction with ComfortSense™ 7500 thermostat.

Used with single- or two-stage heat pumps and air conditioners.

Thermostat

See Thermostat bulletins in Controls section and Lennox Price Book for a complete list of thermostats.

7 OPTIONAL ELECTRIC HEAT

Field install internal to unit cabinet.

Available in several voltages and kW sizes. See Electric Heat tables.

Helix wound nichrome heating elements exposed directly in air stream resulting in instant heat transfer, low element temperatures and long service life.

Each element equipped with accurately located limit control with fixed temperature off setting and automatic reset.

Supplemental thermal cutoff limit control, provides positive protection in case of excessive temperatures.

Thermal sequencer relay brings elements on and off line, in sequence and equal increments, with time delay between each.

Initiates and terminates blower operation.

Heating control relay(s) furnished as standard.

Control box and access cover constructed of heavy gauge galvanized steel.

Factory assembled with controls installed and wired.

Electric heat low voltage controls plug-in to air handler.

Circuit Breaker Models

ECB29-4CB, -5CB, -6CB, -8CB, -9CB, -10CB, -12.5CB, -15CB, -20CB, -25CB and -30CB (208/240V-1ph) and ECB29-15CB, -20CB and -25CB (208/240V-3ph) heaters are equipped with circuit breakers for overload and short circuit protection.

Factory wired and mounted on electric heat unit.

Current sensitive and temperature actuated.

Manual reset.

Circuit breakers qualify as disconnect means at unit in many areas, eliminate the need for field provided disconnect. Consult local electrical code in your area.

NOTE - 460V-3 phase air handlers can be used in 575V applications.

575V electric heaters are shipped with a 575V to 460V step-down transformer.

Optional Accessories

Circuit Breaker Cover Kit

Flexible plastic cover protects circuit breaker.

Recommended in areas with high humidity or unconditioned areas to prevent nuisance tripping.

Single-Point Power Source Control Box

Control Box may be used with optional electric heat when single power supply is connected to multi-circuit electric heat.

Field installs external to the unit cabinet on either side or top.

Constructed of heavy gauge steel, baked enamel finish, prepunched mounting holes, electrical inlet knockouts, and terminal strip.

Removable cover provides easy access.

Dimensions (H x W x D) - 7 x 7 x 4 in.

FEATURES

INDOOR AIR QUALITY

8 Air Filter

Tool-less access to filter area for quick and easy servicing.

Disposable frame type filter furnished and factory installed in rails in cabinet.

See Specifications tables for sizes.

Optional Accessories

Healthy Climate® Germicidal UVC Light



Germicidal lamp emits C-Band ultra-violet (UVC) energy at 253.7 nanometers, which is proven to be effective in reducing microbes such as viruses, bacteria, yeasts, and molds.

This process either destroys the organism or controls its ability to reproduce. UVC germicidal light greatly reduces the growth and proliferation of mold and other bioaerosols (bacteria and viruses) on illuminated surfaces (particularly coil and drain pan).

Surfaces must be cleaned prior to UVC light being installed.

Available in 24 volt and 110.230V-1ph models.

Air handlers have a factory provided knockout in the coil delta plate for mounting light within coil area.

Shielding baffle is required when installing light above a non-UVC resistant component, such as a filter.

Baffle must be ordered separately.

INSTALLATION CLEARANCES WITH ELECTRIC HEAT

Cabinet	0 inch (0 mm)
To Plenum	1 inch (25 mm)
To Outlet Duct within 3 feet (914 mm)	1 inch (25 mm)
Floor	See Note #1
Service / Maintenance	See Note #2

¹ Units installed on combustible floors in the downflow position with electric heat require optional downflow combustible flooring base.

² Front service access - 24 inches (610 mm) minimum.

NOTE - If cabinet depth is more than 24 inches (610 mm), allow a minimum of the cabinet depth plus 2 inches (51 mm).

SPECIFICATIONS

General Data		Model Number	CBX27UH-018	CBX27UH-024	CBX27UH-030	CBX27UH-036
		Nominal tonnage	1.5	2	2.5	3
Connections	Suction (vapor) line (o.d.) - in. sweat		3/4	3/4	3/4	3/4
	Liquid line (o.d.) - in. sweat		3/8	3/8	3/8	3/8
	Condensate - in. fpt		(2) 3/4	(2) 3/4	(2) 3/4	(2) 3/4
Indoor Coil	Net face area - ft. ²		4.44	4.44	5.0	5.0
	Tube outside diameter - in.		3/8	3/8	3/8	3/8
	Number of rows		3	3	3	3
	Fins per inch		12	12	12	12
Blower	Wheel nominal diameter x width - in.		10 x 8	10 x 8	11 x 8	11 x 8
	Blower motor output - hp		1/2	1/2	1/2	1/2
¹ Filters	Size of filter - in.		20 x 20 x 1	20 x 20 x 1	20 x 20 x 1	20 x 20 x 1
Shipping Data -1 package - lbs.			148	148	159	159

ELECTRICAL DATA

Voltage - 1 phase - 60hz		208/230V-1ph	208/230V-1ph	208/230V-1ph	208/230V-1ph
Voltage - 3 phase - 60hz		---	---	---	³ 460V-1ph
² Maximum overcurrent protection (unit only) - All voltages		15	15	15	15
Minimum circuit ampacity (unit only) - 208/230V		5	5	5	5
Blower Motor Full Load Amps - 208/230V		4.1	4.1	4.1	4.1
Minimum circuit ampacity (unit only) - 460V		---	---	---	2.6
Blower Motor Full Load Amps - 460V		---	---	---	2.1

OPTIONAL ACCESSORIES - ORDER SEPARATELY

ComfortSense® 7500 Thermostat		13H14	13H14	13H14	13H14
Remote Outdoor Temperature Sensor (for ComfortSense 7500)		X2658	X2658	X2658	X2658
Dehumidification Relay Kit		26W62	26W62	26W62	26W62
Downflow Combustible Flooring Base		44K15	44K15	44K15	44K15
Downflow Conversion Kit		83M57	83M57	83M57	83M57
Electric Heat - See Electric Heat Data tables		2.5 to 20 kW			
Electric Heat Circuit Breaker Cover Kit		82W01	82W01	82W01	82W01
Healthy Climate Germicidal Light	UVC-24V (24V)	X9423	X9423	X9423	X9423
	Shielding Baffle (required)	Y2120	Y2120	Y2120	Y2120
	UVC-41W-S (110/230v-1 ph)	X9424	X9424	X9424	X9424
	Shielding Baffle (required)	X9900	X9900	X9900	X9900
Horizontal Support Frame Kit		56J18	56J18	56J18	56J18
Side Return Unit Stand (Upflow Only)		45K32	45K32	45K32	45K32
Single Point Power Source Control Box		21H39	21H39	21H39	21H39
Wall Hanging Bracket Kit (Upflow Only)		45K30	45K30	45K30	45K30
High Performance Economizer (Commercial Only)		10U53	10U53	10U53	10U53

¹ Disposable frame type filter.

² HACR type circuit breaker or fuse.

³ Blower motor is 460V - 1 phase. Optional electric heat is 460V - 3 phase.

SPECIFICATIONS

General Data		Model Number	CBX27UH-042	CBX27UH-048	CBX27UH-060
		Nominal tonnage	3.5	4	5
Connections	Suction (vapor) line (o.d.) - in. sweat		7/8	7/8	7/8
	Liquid line (o.d.) - in. sweat		3/8	3/8	3/8
	Condensate - in. fpt		(2) 3/4	(2) 3/4	(2) 3/4
Indoor Coil	Net face area - ft. ²		7.22	7.22	8.33
	Tube outside diameter - in.		3/8	3/8	3/8
	Number of rows		3	3	3
	Fins per inch		12	12	12
Blower	Wheel nominal diameter x width - in.		12 x 9	12 x 9	12 x 9
	Blower motor output - hp		1	1	1
¹ Filters	Size of filter - in.		20 x 24 x 1	20 x 24 x 1	20 x 24 x 1
Shipping Data -1 package lbs.			194	194	216

ELECTRICAL DATA

Voltage - 1 phase - 60hz		208/230V-1ph	208/230V- 1ph	208/230V- 1ph
Voltage - 3 phase - 60hz		- - -	³ 460V-1ph	³ 460V-1ph
² Maximum overcurrent protection (unit only) - All voltages		15	15	15
Minimum circuit ampacity (unit only) - 208/230V		10	10	10
Blower Motor Full Load Amps - 208/230V		7.6	7.6	7.6
Minimum circuit ampacity (unit only) - 460V		- - -	5	5
Blower Motor Full Load Amps - 460V		- - -	4	4

OPTIONAL ACCESSORIES - ORDER SEPARATELY

ComfortSense® 7500 Thermostat		13H14	13H14	13H14
Remote Outdoor Temperature Sensor (for ComfortSense 7500)		X2658	X2658	X2658
Dehumidification Relay Kit		26W62	26W62	26W62
Downflow Combustible Flooring Base		44K15	44K15	44K15
Downflow Conversion Kit		83M57	83M57	83M57
Electric Heat - See Electric Heat Data tables		5 to 25 kW		
Electric Heat Circuit Breaker Cover Kit		82W01	82W01	82W01
Healthy Climate Germicidal Light	UVC-24V (24V)	X9423	X9423	X9423
	Shielding Baffle (required)	Y2120	Y2120	Y2120
	UVC-41W-S (110/230v-1 ph)	X9424	X9424	X9424
	Shielding Baffle (required)	X9900	X9900	X9900
Horizontal Support Frame Kit		56J18	56J18	56J18
Side Return Unit Stand (Upflow Only)		45K32	45K32	45K32
Single Point Power Source Control Box		21H39	21H39	21H39
Wall Hanging Bracket Kit (Upflow Only)		45K30	45K30	45K30
High Performance Economizer (Commercial Only)		10U53	10U53	10U53

¹ Disposable frame type filter.

² HACR type circuit breaker or fuse.

³ Blower motor is 460V - 1 phase. Optional electric heat is 460V - 3 phase.

BLOWER DATA**CBX27UH-018 BLOWER PERFORMANCE**

External Static Pressure in. w.g.	Air Volume and Motor Watts at 208V										Air Volume and Motor Watts at 230V									
	Tap 1		Tap 2		Tap 3		Tap 4		Tap 5		Tap 1		Tap 2		Tap 3		Tap 4		Tap 5	
	cfm	Watts	cfm	Watts	cfm	Watts	cfm	Watts	cfm	Watts	cfm	Watts	cfm	Watts	cfm	Watts	cfm	Watts	cfm	Watts
.00	815	80	810	77	835	86	855	89	1010	137	820	82	815	77	835	84	850	91	1010	140
.10	720	71	700	68	735	76	790	89	980	142	710	71	715	71	735	77	795	89	975	144
.20	580	59	560	58	665	76	755	99	950	153	570	59	580	60	660	77	755	99	950	154
.30	500	63	450	55	610	78	710	101	905	157	505	64	440	58	615	80	715	102	910	160
.40	400	65	350	59	580	87	685	111	870	166	415	67	355	60	575	89	680	112	875	170
.50	365	74	290	60	505	96	640	114	835	176	355	77	300	64	510	99	630	118	850	179
.60	315	75	280	68	445	100	580	124	800	179	320	77	270	71	450	102	575	129	805	183
.70	N/A	N/A	210	71	390	102	515	128	755	187	N/A	N/A	220	72	395	106	525	137	780	192
.80	N/A	N/A	170	71	355	109	470	136	710	194	N/A	N/A	175	76	365	112	485	144	725	200

CBX27UH-024 BLOWER PERFORMANCE

External Static Pressure in. w.g.	Air Volume and Motor Watts at 208V										Air Volume and Motor Watts at 230V									
	Tap 1		Tap 2		Tap 3		Tap 4		Tap 5		Tap 1		Tap 2		Tap 3		Tap 4		Tap 5	
	cfm	Watts	cfm	Watts	cfm	Watts	cfm	Watts	cfm	Watts	cfm	Watts	cfm	Watts	cfm	Watts	cfm	Watts	cfm	Watts
.00	885	89	885	89	930	97	1035	130	1185	184	890	91	895	90	920	99	1040	130	1190	189
.10	755	77	760	77	850	98	995	139	1140	193	785	82	770	78	855	100	1000	142	1145	200
.20	665	73	670	72	820	106	970	148	1100	203	675	76	670	76	820	111	960	152	1110	207
.30	605	77	600	77	775	112	920	154	1070	213	605	80	605	80	780	114	930	156	1085	219
.40	560	84	515	88	725	121	885	165	1025	219	570	88	555	88	745	123	890	166	1035	225
.50	445	95	445	95	675	124	835	171	1000	228	465	99	465	99	670	131	850	172	1010	235
.60	400	98	395	96	570	137	810	179	960	232	405	101	405	101	595	142	815	183	975	246
.70	N/A	N/A	345	101	520	143	705	193	920	242	N/A	N/A	350	106	530	151	710	197	935	248
.80	N/A	N/A	320	106	460	148	625	201	835	254	N/A	N/A	330	112	485	155	660	207	895	260

CBX27UH-030 BLOWER PERFORMANCE

External Static Pressure in. w.g.	Air Volume and Motor Watts at 208V										Air Volume and Motor Watts at 230V									
	Tap 1		Tap 2		Tap 3		Tap 4		Tap 5		Tap 1		Tap 2		Tap 3		Tap 4		Tap 5	
	cfm	Watts	cfm	Watts	cfm	Watts	cfm	Watts	cfm	Watts	cfm	Watts	cfm	Watts	cfm	Watts	cfm	Watts	cfm	Watts
.00	1130	128	1175	142	1230	158	1270	177	1345	208	1145	130	1180	142	1235	161	1280	179	1365	212
.10	1045	118	1065	126	1140	151	1240	183	1345	219	1030	118	1085	130	1155	154	1245	183	1345	223
.20	910	103	950	113	1105	160	1205	193	1305	231	915	105	955	116	1120	164	1205	195	1310	237
.30	730	89	870	117	1050	169	1165	202	1250	238	755	91	885	118	1060	171	1170	207	1265	242
.40	605	93	825	120	1020	176	1115	209	1205	248	655	92	830	124	1030	180	1125	213	1230	254
.50	540	101	725	136	980	181	1085	218	1180	257	550	102	745	136	985	184	1090	223	1195	265
.60	470	106	670	145	930	191	1035	224	1140	262	475	107	670	149	945	195	1050	230	1145	270
.70	N/A	N/A	605	154	835	207	995	235	1105	273	N/A	N/A	620	159	860	213	1005	242	1110	280
.80	N/A	N/A	545	159	785	217	950	245	1055	284	N/A	N/A	560	163	805	223	915	258	1050	295

CBX27UH-036 BLOWER PERFORMANCE

External Static Pressure in. w.g.	Air Volume and Motor Watts at 208V										Air Volume and Motor Watts at 230V / 460V									
	Tap 1		Tap 2		Tap 3		Tap 4		Tap 5		Tap 1		Tap 2		Tap 3		Tap 4		Tap 5	
	cfm	Watts	cfm	Watts	cfm	Watts	cfm	Watts	cfm	Watts	cfm	Watts	cfm	Watts	cfm	Watts	cfm	Watts	cfm	Watts
.00	1185	136	1225	149	1320	184	1430	234	1545	293	1180	139	1230	152	1330	191	1440	238	1555	299
.10	1070	125	1125	137	1280	196	1395	244	1515	303	1085	129	1125	141	1295	201	1405	251	1520	313
.20	960	113	1010	130	1240	201	1360	255	1475	314	955	114	1025	132	1260	213	1365	264	1485	325
.30	815	101	970	136	1195	214	1310	265	1430	322	805	105	975	142	1210	219	1330	275	1445	337
.40	750	106	915	148	1155	225	1275	273	1385	334	770	114	930	153	1170	231	1285	283	1405	345
.50	670	119	870	153	1110	231	1240	284	1345	345	670	128	870	159	1120	243	1250	295	1365	357
.60	605	130	825	163	1060	242	1190	290	1315	355	605	134	810	173	1080	249	1210	307	1330	367
.70	555	137	725	177	1025	251	1145	301	1270	359	565	142	725	185	1040	260	1160	313	1285	378
.80	515	142	670	182	970	262	1100	312	1225	369	525	146	675	195	980	276	1120	324	1245	391

BLOWER DATA

CBX27UH-042 BLOWER PERFORMANCE

External Static Pressure in. w.g.	Air Volume and Motor Watts at 208V										Air Volume and Motor Watts at 230V									
	Tap 1		Tap 2		Tap 3		Tap 4		Tap 5		Tap 1		Tap 2		Tap 3		Tap 4		Tap 5	
	cfm	Watts	cfm	Watts	cfm	Watts	cfm	Watts	cfm	Watts	cfm	Watts	cfm	Watts	cfm	Watts	cfm	Watts	cfm	Watts
.00	1475	198	1530	218	1610	251	1705	295	1805	349	1475	200	1530	222	1615	254	1705	300	1815	350
.10	1370	183	1420	207	1545	251	1660	307	1780	364	1360	184	1435	207	1545	255	1665	310	1775	368
.20	1255	172	1305	189	1515	266	1635	322	1750	378	1245	172	1305	190	1515	269	1630	326	1750	384
.30	1090	153	1250	200	1470	278	1600	336	1705	390	1090	155	1255	203	1470	278	1605	343	1715	395
.40	1010	164	1190	210	1430	295	1560	346	1685	407	1020	165	1200	213	1420	300	1565	351	1680	408
.50	955	177	1145	225	1385	310	1510	373	1640	428	955	178	1150	229	1385	314	1520	373	1650	430
.60	885	183	1090	242	1330	319	1475	384	1590	443	915	183	1095	243	1330	324	1480	390	1595	453
.70	N/A	N/A	1005	248	1255	341	1430	401	1565	457	N/A	N/A	1000	254	1265	344	1440	408	1565	468
.80	N/A	N/A	990	260	1200	355	1365	419	1510	473	N/A	N/A	1000	255	1200	362	1375	429	1515	481

CBX27UH-048 BLOWER PERFORMANCE

External Static Pressure in. w.g.	Air Volume and Motor Watts at 208V										Air Volume and Motor Watts at 230V / 460V									
	Tap 1		Tap 2		Tap 3		Tap 4		Tap 5		Tap 1		Tap 2		Tap 3		Tap 4		Tap 5	
	cfm	Watts	cfm	Watts	cfm	Watts	cfm	Watts	cfm	Watts	cfm	Watts	cfm	Watts	cfm	Watts	cfm	Watts	cfm	Watts
.00	1440	200	1515	233	1670	304	1690	313	1850	413	1440	202	1525	237	1680	309	1700	319	1860	422
.10	1370	188	1455	224	1650	318	1670	329	1825	421	1370	189	1465	224	1665	324	1685	331	1840	431
.20	1260	173	1425	231	1635	327	1660	337	1825	436	1255	177	1425	235	1650	331	1675	342	1840	443
.30	1120	166	1380	242	1605	343	1630	351	1800	447	1125	167	1380	243	1625	349	1645	358	1815	461
.40	1055	172	1335	260	1565	352	1595	367	1770	462	1055	177	1335	262	1585	358	1605	373	1780	471
.50	960	190	1295	273	1530	372	1555	377	1735	479	970	194	1290	278	1535	378	1570	385	1745	490
.60	895	195	1230	285	1490	389	1510	401	1695	489	890	201	1230	296	1500	396	1525	408	1720	506
.70	N/A	N/A	1145	304	1445	407	1470	418	1650	513	N/A	N/A	1140	308	1455	415	1490	425	1665	533
.80	N/A	N/A	1095	317	1385	416	1430	432	1605	530	N/A	N/A	1075	325	1405	435	1430	445	1630	551

CBX27UH-060 BLOWER PERFORMANCE

External Static Pressure in. w.g.	Air Volume and Motor Watts at 208V										Air Volume and Motor Watts at 230V / 460V									
	Tap 1		Tap 2		Tap 3		Tap 4		Tap 5		Tap 1		Tap 2		Tap 3		Tap 4		Tap 5	
	cfm	Watts	cfm	Watts	cfm	Watts	cfm	Watts	cfm	Watts	cfm	Watts	cfm	Watts	cfm	Watts	cfm	Watts	cfm	Watts
.00	1490	207	1765	331	1970	455	2010	494	2365	799	1505	212	1775	337	1980	461	2025	497	2365	822
.10	1395	194	1740	344	1930	466	1985	507	2328	810	1400	198	1745	352	1950	475	1990	514	2345	839
.20	1320	192	1700	354	1900	480	1955	522	2300	827	1325	196	1705	361	1910	490	1965	532	2310	850
.30	1275	206	1670	367	1875	487	1915	531	2265	842	1270	211	1675	374	1890	507	1930	540	2285	863
.40	1220	214	1620	378	1825	504	1890	544	2235	850	1230	224	1635	390	1840	516	1905	556	2255	882
.50	1170	226	1575	395	1795	519	1850	555	2205	861	1185	231	1590	402	1815	532	1875	573	2225	891
.60	1135	241	1535	409	1750	529	1810	569	2175	872	1140	239	1545	419	1785	550	1825	585	2190	908
.70	N/A	N/A	1490	417	1720	543	1775	585	2135	885	N/A	N/A	1510	426	1735	562	1795	602	2155	922
.80	N/A	N/A	1470	429	1685	557	1730	592	2085	893	N/A	N/A	1480	442	1700	574	1760	619	2120	940

REPLACEMENT CIRCUIT BREAKERS

Voltage	Description	Catalog No.
208/240V - 1 Phase	25 amp, 2 pole	41K13
	30 amp, 2 pole	17K70
	35 amp, 2 pole	72K07
	40 amp, 2 pole	49K14
	45 amp, 2 pole	17K71
	50 amp, 2 pole	41K12
	60 amp, 2 pole	17K72
208/240V - 3 Phase	30 amp, 3 pole	64W47
	35 amp, 3 pole	41K14
	40 amp, 3 pole	41K16
	45 amp, 3 pole	18M86
	50 amp, 3 pole	41K15
	60 amp, 3 pole	41K17

ELECTRIC HEAT DATA - CBX27UH-018

SINGLE PHASE

Model Number	No. of Stages	Input			² Blower Motor Full Load Amps	³ Minimum Circuit Ampacity	⁵ Maximum Overcurrent Protection
		Volts	kW	¹ Btuh			
2.5 kW 4 lbs. ECB29-2.5 (12L27) Terminal Block	1	208	1.9	6,400	4.1	16	20
		220	2.1	7,200	4.1	18	20
		230	2.3	7,800	4.1	18	20
		240	2.5	8,500	4.1	18	20
4 kW 4 lbs. ECB29-4 (12L30) Terminal Block ECB29-4CB (12L45) 30A Circuit breaker	1	208	3.0	10,250	4.1	23	425
		220	3.4	11,450	4.1	26	30
		230	3.7	12,550	4.1	26	30
		240	4.0	13,650	4.1	26	30
5 kW 4 lbs. ECB29-5 (12L35) Terminal Block ECB29-5CB (12L47) 35A Circuit breaker	1	208	3.8	12,800	4.1	28	430
		220	4.2	14,300	4.1	31	35
		230	4.6	15,700	4.1	31	35
		240	5.0	17,100	4.1	31	35
6 kW 4 lbs. ECB29-6 (12L44) Terminal Block ECB29-6CB (12L49) 40A Circuit breaker	1	208	4.5	15,400	4.1	32	435
		220	5.0	17,100	4.1	36	40
		230	5.5	18,800	4.1	36	40
		240	6.0	20,500	4.1	36	40
8 kW 5 lbs. ECB29-8 (12L50) Terminal Block ECB29-8CB (12L52) 50A Circuit breaker	1	208	6.0	20,500	4.1	41	445
		220	6.7	22,900	4.1	47	50
		230	7.3	25,100	4.1	47	50
		240	8.0	27,300	4.1	47	50
9 kW 5 lbs. ECB29-9CB (13T79) 60A Circuit breaker	2	208	6.8	23,100	4.1	46	450
		220	7.6	25,800	4.1	52	60
		230	8.3	28,200	4.1	52	60
		240	9.0	30,700	4.1	52	60
10 kW 6 lbs. ECB29-10 (13T83) Terminal Block ECB29-10CB (13T87) 60A Circuit breaker	2	208	7.5	25,600	4.1	50	450
		220	8.4	28,700	4.1	57	60
		230	9.2	31,400	4.1	57	60
		240	10.0	34,100	4.1	57	60

NOTE - Circuit 1 Minimum Circuit Ampacity includes the Blower Motor Full Load Amps.

¹ Electric heater capacity only - does not include additional blower motor heat capacity.

² Amps shown are for blower motor only.

³ Refer to National or Canadian Electrical Code manual to determine wire, fuse and disconnect size requirements. Use wires suitable for at least 167°F.

⁴ Bold text indicates that the circuit breaker on "CB" circuit breaker models must be replaced with size noted. See Table on Page 9.

⁵ HACR type circuit breaker or fuse.

ELECTRIC HEAT DATA - CBX27UH-024

SINGLE PHASE

	Model Number	No. of Stages	Input			² Blower Motor Full Load Amps	³ Minimum Circuit Ampacity	⁵ Maximum Overcurrent Protection
			Volts	kW	¹ Btuh			
4 kW 4 lbs.	ECB29-4 (12L30) Terminal Block ECB29-4CB (12L45) 30A Circuit breaker	1	208	3.0	10,250	4.1	23	⁴ 25
			220	3.4	11,450	4.1	26	30
			230	3.7	12,550	4.1	26	30
			240	4.0	13,650	4.1	26	30
5 kW 4 lbs.	ECB29-5 (12L35) Terminal Block ECB29-5CB (12L47) 35A Circuit breaker	1	208	3.8	12,800	4.1	28	⁴ 30
			220	4.2	14,300	4.1	31	35
			230	4.6	15,700	4.1	31	35
			240	5.0	17,100	4.1	31	35
6 kW 4 lbs.	ECB29-6 (12L44) Terminal Block ECB29-6CB (12L49) 40A Circuit breaker	1	208	4.5	15,400	4.1	32	⁴ 35
			220	5.0	17,100	4.1	36	40
			230	5.5	18,800	4.1	36	40
			240	6.0	20,500	4.1	36	40
8 kW 5 lbs.	ECB29-8 (12L50) Terminal Block ECB29-8CB (12L52) 50A Circuit breaker	1	208	6.0	20,500	4.1	41	⁴ 45
			220	6.7	22,900	4.1	47	50
			230	7.3	25,100	4.1	47	50
			240	8.0	27,300	4.1	47	50
9 kW 5 lbs.	ECB29-9CB (13T79) 60A Circuit breaker	2	208	6.8	23,100	4.1	46	⁴ 50
			220	7.6	25,800	4.1	52	60
			230	8.3	28,200	4.1	52	60
			240	9.0	30,700	4.1	52	60
10 kW 6 lbs.	ECB29-10 (13T83) Terminal Block ECB29-10CB (13T87) 60A Circuit breaker	2	208	7.5	25,600	4.1	50	⁴ 50
			220	8.4	28,700	4.1	57	60
			230	9.2	31,400	4.1	57	60
			240	10.0	34,100	4.1	57	60

NOTE - Circuit 1 Minimum Circuit Ampacity includes the Blower Motor Full Load Amps.

¹ Electric heater capacity only - does not include additional blower motor heat capacity.

² Amps shown are for blower motor only.

³ Refer to National or Canadian Electrical Code manual to determine wire, fuse and disconnect size requirements. Use wires suitable for at least 167°F.

⁴ Bold text indicates that the circuit breaker on "CB" circuit breaker models must be replaced with size noted. See Table on Page 9.

⁵ HACR type circuit breaker or fuse.

ELECTRIC HEAT DATA - CBX27UH-030

SINGLE PHASE

Model Number	No. of Stages	Input			² Blower Motor Full Load Amps	³ Minimum Circuit Ampacity		⁵ Maximum Overcurrent Protection		Single Point Power Source	
		Volts	kW	¹ Btuh		Ckt 1	Ckt 2	Ckt 1	Ckt 2	³ Minimum Circuit Ampacity	⁵ Maximum Overcurrent Protection
4 kW 4 lbs. ECB29-4 (12L30) Terminal Block ECB29-4CB (12L45) 30A Circuit breaker	1	208	3.0	10,250	4.1	23	---	4 25	---	---	---
		220	3.4	11,450	4.1	26	---	30	---	---	---
		230	3.7	12,550	4.1	26	---	30	---	---	---
		240	4.0	13,650	4.1	26	---	30	---	---	---
5 kW 4 lbs. ECB29-5 (12L35) Terminal Block ECB29-5CB (12L47) 35A Circuit breaker	1	208	3.8	12,800	4.1	28	---	4 30	---	---	---
		220	4.2	14,300	4.1	31	---	35	---	---	---
		230	4.6	15,700	4.1	31	---	35	---	---	---
		240	5.0	17,100	4.1	31	---	35	---	---	---
6 kW 4 lbs. ECB29-6 (12L44) Terminal Block ECB29-6CB (12L49) 40A Circuit breaker	1	208	4.5	15,400	4.1	32	---	4 35	---	---	---
		220	5.0	17,100	4.1	36	---	40	---	---	---
		230	5.5	18,800	4.1	36	---	40	---	---	---
		240	6.0	20,500	4.1	36	---	40	---	---	---
8 kW 5 lbs. ECB29-8 (12L50) Terminal Block ECB29-8CB (12L52) 50A Circuit breaker	1	208	6.0	20,500	4.1	41	---	4 45	---	---	---
		220	6.7	22,900	4.1	47	---	50	---	---	---
		230	7.3	25,100	4.1	47	---	50	---	---	---
		240	8.0	27,300	4.1	47	---	50	---	---	---
9 kW 5 lbs. ECB29-9CB (13T79) 60A Circuit breaker	2	208	6.8	23,100	4.1	46	---	4 50	---	---	---
		220	7.6	25,800	4.1	52	---	60	---	---	---
		230	8.3	28,200	4.1	52	---	60	---	---	---
		240	9.0	30,700	4.1	52	---	60	---	---	---
10 kW 6 lbs. ECB29-10 (13T83) Terminal Block ECB29-10CB (13T87) 60A Circuit breaker	2	208	7.5	25,600	4.1	50	---	4 50	---	---	---
		220	8.4	28,700	4.1	57	---	60	---	---	---
		230	9.2	31,400	4.1	57	---	60	---	---	---
		240	10.0	34,100	4.1	57	---	60	---	---	---
12.5 kW 10 lbs. ECB29-12.5CB (13T88) (1) 30A Circuit breaker & (1) 45A Circuit breaker	2	208	9.4	32,000	4.1	24	38	4 25	4 40	62	70
		220	10.5	35,800	4.1	27	43	30	45	70	70
		230	11.5	39,200	4.1	27	43	30	45	70	70
		240	12.5	42,600	4.1	27	43	30	45	70	70
15 kW 12 lbs. ECB29-15CB (13T91) (1) 35A Circuit breaker & (1) 60A Circuit Breaker	2	208	11.3	38,400	4.1	28	45	4 30	4 45	73	80
		220	12.6	43,000	4.1	31	52	35	60	83	90
		230	13.8	47,000	4.1	31	52	35	60	83	90
		240	15.0	51,200	4.1	31	52	35	60	83	90

THREE PHASE

8 kW 5 lbs. ECB29-8 (12L61) Terminal Block	1	208	6.0	20,500	4.1	26	---	30	---	---	---
		220	6.7	22,900	4.1	29	---	30	---	---	---
		230	7.3	25,100	4.1	29	---	30	---	---	---
		240	8.0	27,300	4.1	29	---	30	---	---	---
10 kW 6 lbs. ECB29-10 (12L62) Terminal Block	1	208	7.5	25,600	4.1	31	---	35	---	---	---
		220	8.4	28,700	4.1	35	---	35	---	---	---
		230	9.2	31,400	4.1	35	---	35	---	---	---
		240	10.0	34,100	4.1	35	---	35	---	---	---
15 kW 12 lbs. ECB29-15CB (12L63) (1) 50A Circuit breaker	1	208	11.3	38,400	4.1	44	---	45	---	---	---
		220	12.6	43,000	4.1	50	---	50	---	---	---
		230	13.5	47,000	4.1	50	---	50	---	---	---
		240	15.0	51,200	4.1	50	---	50	---	---	---

NOTE - Circuit 1 Minimum Circuit Ampacity includes the Blower Motor Full Load Amps.

¹ Electric heater capacity only - does not include additional blower motor heat capacity.

² Amps shown are for blower motor only.

³ Refer to National or Canadian Electrical Code manual to determine wire, fuse and disconnect size requirements. Use wires suitable for at least 167°F.

⁴ Bold text indicates that the circuit breaker on "CB" circuit breaker models must be replaced with size noted. See Table on Page 9.

⁵ HACR type circuit breaker or fuse.

ELECTRIC HEAT DATA - CBX27UH-036

SINGLE PHASE

	Model Number	No. of Stages	Input			² Blower Motor Full Load Amps	³ Minimum Circuit Ampacity		⁵ Maximum Overcurrent Protection		Single Point Power Source	
			Volts	kW	¹ Btuh		Ckt 1	Ckt 2	Ckt 1	Ckt 2	³ Minimum Circuit Ampacity	⁵ Maximum Overcurrent Protection
4 kW 4 lbs.	ECB29-4 (12L30) Terminal Block ECB29-4CB (12L45) 30A Circuit breaker	1	208	3.0	10,250	4.1	23	---	⁴ 25	---	---	---
			220	3.4	11,450	4.1	26	---	30	---	---	---
			230	3.7	12,550	4.1	26	---	30	---	---	---
			240	4.0	13,650	4.1	26	---	30	---	---	---
5 kW 4 lbs.	ECB29-5 (12L35) Terminal Block ECB29-5CB (12L47) 35A Circuit breaker	1	208	3.8	12,800	4.1	28	---	⁴ 30	---	---	---
			220	4.2	14,300	4.1	31	---	35	---	---	---
			230	4.6	15,700	4.1	31	---	35	---	---	---
			240	5.0	17,100	4.1	31	---	35	---	---	---
6 kW 4 lbs.	ECB29-6 (12L44) Terminal Block ECB29-6CB (12L49) 40A Circuit breaker	1	208	4.5	15,400	4.1	32	---	⁴ 35	---	---	---
			220	5.0	17,100	4.1	36	---	40	---	---	---
			230	5.5	18,800	4.1	36	---	40	---	---	---
			240	6.0	20,500	4.1	36	---	40	---	---	---
8 kW 5 lbs.	ECB29-8 (12L50) Terminal Block ECB29-8CB (12L52) 50A Circuit breaker	1	208	6.0	20,500	4.1	41	---	⁴ 45	---	---	---
			220	6.7	22,900	4.1	47	---	50	---	---	---
			230	7.3	25,100	4.1	47	---	50	---	---	---
			240	8.0	27,300	4.1	47	---	50	---	---	---
9 kW 5 lbs.	ECB29-9CB (13T79) 60A Circuit breaker	2	208	6.8	23,100	4.1	46	---	⁴ 50	---	---	---
			220	7.6	25,800	4.1	52	---	60	---	---	---
			230	8.3	28,200	4.1	52	---	60	---	---	---
			240	9.0	30,700	4.1	52	---	60	---	---	---
10 kW 6 lbs.	ECB29-10 (13T83) Terminal Block ECB29-10CB (13T87) 60A Circuit breaker	2	208	7.5	25,600	4.1	50	---	⁴ 50	---	---	---
			220	8.4	28,700	4.1	57	---	60	---	---	---
			230	9.2	31,400	4.1	57	---	60	---	---	---
			240	10.0	34,100	4.1	57	---	60	---	---	---
12.5 kW 10 lbs.	ECB29-12.5CB (13T88) (1) 30A Circuit breaker and (1) 45A Circuit breaker	2	208	9.4	32,000	4.1	24	38	⁴ 25	⁴ 40	62	70
			220	10.5	35,800	4.1	27	43	30	45	70	70
			230	11.5	39,200	4.1	27	43	30	45	70	70
			240	12.5	42,600	4.1	27	43	30	45	70	70
15 kW 12 lbs.	ECB29-15CB (13T91) (1) 35A Circuit breaker and (1) 60A Circuit Breaker	2	208	11.3	38,400	4.1	28	45	⁴ 30	⁴ 45	73	80
			220	12.6	43,000	4.1	31	52	35	60	83	90
			230	13.8	47,000	4.1	31	52	35	60	83	90
			240	15.0	51,200	4.1	31	52	35	60	83	90
20 kW 19 lbs.	ECB29-20CB (13T92) (1) 60A Circuit breaker and (1) 60A Circuit Breaker	2	208	15.0	51,200	4.1	46	50	⁴ 50	⁴ 50	96	100
			220	16.8	57,300	4.1	52	57	60	60	109	125
			230	18.4	62,700	4.1	52	57	60	60	109	125
			240	20.0	68,200	4.1	52	57	60	60	109	125

NOTE - Circuit 1 Minimum Circuit Ampacity includes the Blower Motor Full Load Amps.

¹ Electric heater capacity only - does not include additional blower motor heat capacity.

² Amps shown are for blower motor only.

³ Refer to National or Canadian Electrical Code manual to determine wire, fuse and disconnect size requirements. Use wires suitable for at least 167°F.

⁴ Bold text indicates that the circuit breaker on "CB" circuit breaker models must be replaced with size noted. See Table on Page 9.

⁵ HACR type circuit breaker or fuse.

ELECTRIC HEAT DATA - CBX27UH-036

THREE PHASE

Model Number	No. of Stages	Input			² Blower Motor Full Load Amps	³ Minimum Circuit Ampacity		⁵ Maximum Overcurrent Protection		Single Point Power Source	
		Volts	kW	¹ Btuh		Ckt 1	Ckt 2	Ckt 1	Ckt 2	³ Minimum Circuit Ampacity	⁵ Maximum Overcurrent Protection
8 kW 5 lbs. ECB29-8 (12L61) Terminal Block	1	208	6.0	20,500	4.1	26	---	30	---	---	---
		220	6.7	22,900	4.1	29	---	30	---	---	---
		230	7.3	25,100	4.1	29	---	30	---	---	---
		240	8.0	27,300	4.1	29	---	30	---	---	---
10 kW 6 lbs. ECB29-10 (12L62) Terminal Block	1	208	7.5	25,600	4.1	31	---	35	---	---	---
		220	8.4	28,700	4.1	35	---	35	---	---	---
		230	9.2	31,400	4.1	35	---	35	---	---	---
		240	10.0	34,100	4.1	35	---	35	---	---	---
ECB29-10 (28K47) (3) 20A Fuses	1	440	8.4	28,700	2.1	16	---	20	---	---	---
		460	9.2	31,400	2.1	17	---	20	---	---	---
		480	10.0	34,100	2.1	17	---	20	---	---	---
15 kW 12 lbs. ECB29-15CB (12L63) (1) 50A Circuit breaker	1	208	11.3	38,400	4.1	44	---	45	---	---	---
		220	12.6	43,000	4.1	50	---	50	---	---	---
		230	13.5	47,000	4.1	50	---	50	---	---	---
		240	15.0	51,200	4.1	50	---	50	---	---	---
ECB29-15 (28K48) (3) 25A Fuses	1	440	12.6	43,000	2.1	23	---	25	---	---	---
		460	13.5	47,000	2.1	24	---	25	---	---	---
		480	15.0	51,200	2.1	25	---	30	---	---	---
20 kW 19 lbs. ECB29-20CB (12L64) (2) 35A Circuit breaker	2	208	15.0	51,200	4.1	31	26	35	30	57	60
		220	16.8	57,300	4.1	35	30	35	30	65	70
		230	18.4	62,700	4.1	35	30	35	30	65	70
		240	20.0	68,200	4.1	35	30	35	30	65	70

NOTE - Circuit 1 Minimum Circuit Ampacity includes the Blower Motor Full Load Amps.

¹ Electric heater capacity only - does not include additional blower motor heat capacity.

² Amps shown are for blower motor only.

³ Refer to National or Canadian Electrical Code manual to determine wire, fuse and disconnect size requirements. Use wires suitable for at least 167°F.

⁴ Bold text indicates that the circuit breaker on "CB" circuit breaker models must be replaced with size noted. See Table on Page 9.

⁵ HACR type circuit breaker or fuse.

ELECTRIC HEAT DATA - CBX27UH-042

SINGLE PHASE

	Model Number	No. of Stages	Volts Input	kW Input	¹ Btuh Input	² Blower Motor Full Load Amps	³ Minimum Circuit Ampacity			⁵ Maximum Overcurrent Protection			Single Point Power Source	
							Ckt 1	Ckt 2	Ckt 3	Ckt 1	Ckt 2	Ckt 3	³ Minimum Circuit Ampacity	⁵ Maximum Overcurrent Protection
4 kW 4 lbs.	ECB29-4 (12L30) Terminal Block ECB29-4CB (12L45) 30A Circuit breaker	1	208	3.0	10,250	7.6	28	---	---	30	---	---	---	---
			220	3.4	11,450	7.6	30	---	---	30	---	---	---	---
			230	3.7	12,550	7.6	30	---	---	30	---	---	---	---
			240	4.0	13,650	7.6	30	---	---	30	---	---	---	---
5 kW 4 lbs.	ECB29-5 (12L35) Terminal Block ECB29-5CB (12L47) 35A Circuit breaker	1	208	3.8	12,800	7.6	32	---	---	35	---	---	---	---
			220	4.2	14,300	7.6	36	---	---	40	---	---	---	---
			230	4.6	15,700	7.6	36	---	---	40	---	---	---	---
			240	5.0	17,100	7.6	36	---	---	40	---	---	---	---
6 kW 4 lbs.	ECB29-6 (12L44) Terminal Block ECB29-6CB (12L49) 40A Circuit breaker	1	208	4.5	15,400	7.6	37	---	---	40	---	---	---	---
			220	5.0	17,100	7.6	41	---	---	45	---	---	---	---
			230	5.5	18,800	7.6	41	---	---	45	---	---	---	---
			240	6.0	20,500	7.6	41	---	---	45	---	---	---	---
8 kW 5 lbs.	ECB29-8 (12L50) Terminal Block ECB29-8CB (12L52) 50A Circuit breaker	1	208	6.0	20,500	7.6	46	---	---	50	---	---	---	---
			220	6.7	22,900	7.6	51	---	---	60	---	---	---	---
			230	7.3	25,100	7.6	51	---	---	60	---	---	---	---
			240	8.0	27,300	7.6	51	---	---	60	---	---	---	---
9 kW 5 lbs.	ECB29-9CB (13T79) 60A Circuit breaker	2	208	6.8	23,100	7.6	50	---	---	50	---	---	---	---
			220	7.6	25,800	7.6	56	---	---	60	---	---	---	---
			230	8.3	28,200	7.6	56	---	---	60	---	---	---	---
			240	9.0	30,700	7.6	56	---	---	60	---	---	---	---
12.5 kW 10 lbs.	ECB29-12.5CB (13T88) (1) 30A Circuit breaker and (1) 45A Circuit breaker	2	208	9.4	32,000	7.6	28	38	---	30	40	---	66	80
			220	10.5	35,800	7.6	31	43	---	35	45	---	75	80
			230	11.5	39,200	7.6	31	43	---	35	45	---	75	80
			240	12.5	42,600	7.6	31	43	---	35	45	---	75	80
15 kW 12 lbs.	ECB29-15CB (13T91) (1) 35A Circuit breaker and (1) 60A Circuit breaker	2	208	11.3	38,400	7.6	32	45	---	35	45	---	77	80
			220	12.6	43,000	7.6	36	52	---	40	60	---	88	90
			230	13.5	47,000	7.6	36	52	---	40	60	---	88	90
			240	15.0	51,200	7.6	36	52	---	40	60	---	88	90
20 kW 19 lbs.	ECB29-20CB (13T92) (1) 60A Circuit breaker and (1) 60A Circuit breaker	2	208	15.0	51,200	7.6	50	50	---	50	50	---	100	125
			220	16.8	57,300	7.6	56	57	---	60	60	---	114	125
			230	18.4	62,700	7.6	56	57	---	60	60	---	114	125
			240	20.0	68,200	7.6	56	57	---	60	60	---	114	125
25 kW 19 lbs.	ECB29-25CB (12L59) (1) 60A Circuit breaker and (2) 45A Circuit breakers	3	208	18.8	64,100	7.6	47	38	38	50	40	40	123	125
			220	21.0	71,700	7.6	53	43	43	60	45	45	140	150
			230	23.0	78,300	7.6	53	43	43	60	45	45	140	150
			240	25.0	85,300	7.6	53	43	43	60	45	45	140	150

¹ Electric heater capacity only - does not include additional blower motor heat capacity.

² Amps shown are for blower motor only.

³ Refer to National or Canadian Electrical Code manual to determine wire, fuse and disconnect size requirements. Use wires suitable for at least 167°F.

⁴ Bold text indicates that the circuit breaker on "CB" circuit breaker models must be replaced with size noted. See Table on Page 9.

⁵ HACR type circuit breaker or fuse.

ELECTRIC HEAT DATA - CBX27UH-042

THREE PHASE

Model Number	No. of Stages	Input			² Blower Motor Full Load Amps	³ Minimum Circuit Ampacity		⁵ Maximum Overcurrent Protection		Single Point Power Source	
		Volts	kW	¹ Btuh		Ckt 1	Ckt 2	Ckt 1	Ckt 2	³ Minimum Circuit Ampacity	⁵ Maximum Overcurrent Protection
8 kW 5 lbs. ECB29-8 (12L61) Terminal block	1	208	6.0	20,500	7.6	30	---	30	---	---	---
		220	6.7	22,900	7.6	33	---	35	---	---	---
		230	7.3	25,100	7.6	33	---	35	---	---	---
		240	8.0	27,300	7.6	33	---	35	---	---	---
10 kW 6 lbs. ECB29-10 (12L62) Terminal Block	1	208	7.5	25,600	7.6	36	---	40	---	---	---
		220	8.4	28,700	7.6	40	---	40	---	---	---
		230	9.2	31,400	7.6	40	---	40	---	---	---
		240	10.0	34,100	7.6	40	---	40	---	---	---
ECB29-10 (28K47) (3) 20A Fuses	1	440	8.4	28,700	---	---	---	---	---	---	---
		460	9.2	31,400	---	---	---	---	---	---	---
		480	10.0	34,100	---	---	---	---	---	---	---
15 kW 12 lbs. ECB29-15CB (12L63) 50A Circuit breaker	1	208	11.3	38,400	7.6	49	---	50	---	---	---
		220	12.6	43,000	7.6	55	---	460	---	---	---
		230	13.5	47,000	7.6	55	---	460	---	---	---
		240	15.0	51,200	7.6	55	---	460	---	---	---
ECB29-15 (28K48) (3) 25A Fuses	1	440	12.6	43,000	---	---	---	---	---	---	---
		460	13.5	47,000	---	---	---	---	---	---	---
		480	15.0	51,200	---	---	---	---	---	---	---
20 kW 19 lbs. ECB29-20CB (12L64) (2) 35A Circuit breaker	2	208	15.0	51,200	7.6	36	26	440	430	62	70
		220	16.8	57,300	7.6	40	30	440	430	70	70
		230	18.4	62,700	7.6	40	30	440	430	70	70
		240	20.0	68,200	7.6	40	30	440	430	70	70
ECB29-20 (28K49) (3) 35A Fuses	1	440	16.8	57,300	---	---	---	---	---	---	---
		460	18.4	62,700	---	---	---	---	---	---	---
		480	20.0	68,200	---	---	---	---	---	---	---
⁶ ECB29-20 (28K51) (3) 25A Fuses	1	550	16.8	57,300	---	---	---	---	---	---	---
		575	18.4	62,700	---	---	---	---	---	---	---
		600	20.0	68,200	---	---	---	---	---	---	---
25 kW 19 lbs. ECB29-25CB (12L65) (2) 45A Circuit breaker	2	208	18.8	64,100	7.6	42	33	450	435	62	70
		220	21.0	71,700	7.6	47	38	450	440	85	90
		230	23.0	78,300	7.6	47	38	450	440	85	90
		240	25.0	85,300	7.6	47	38	450	440	85	90
ECB29-25 (28K50) (3) 40A Fuses	1	440	21.0	71,700	---	---	---	---	---	---	---
		460	23.0	78,300	---	---	---	---	---	---	---
		480	25.0	85,300	---	---	---	---	---	---	---
⁶ ECB29-25 (28K52) (3) 35A Fuses	1	550	21.0	71,700	---	---	---	---	---	---	---
		575	23.0	78,300	---	---	---	---	---	---	---
		600	25.0	85,300	---	---	---	---	---	---	---

NOTE - Circuit 1 Minimum Circuit Ampacity includes the Blower Motor Full Load Amps.

¹ Electric heater capacity only - does not include additional blower motor heat capacity.

² Amps shown are for blower motor only.

³ Refer to National or Canadian Electrical Code manual to determine wire, fuse and disconnect size requirements. Use wires suitable for at least 167°F.

⁴ Bold text indicates that the circuit breaker on "CB" circuit breaker models must be replaced with size noted. See Table on Page 9.

⁵ HACR type circuit breaker or fuse.

⁶ Blower motor is rated at 460V.

ELECTRIC HEAT DATA - CBX27UH-048

SINGLE PHASE

Model Number	No. of Stages	Input			² Blower Motor Full Load Amps	³ Minimum Circuit Ampacity			⁵ Maximum Overcurrent Protection			Single Point Power Source	
		Volts	kW	¹ Btuh		Ckt 1	Ckt 2	Ckt 3	Ckt 1	Ckt 2	Ckt 3	3 Minimum Circuit Ampacity	5 Maximum Overcurrent Protection
4 kW 4 lbs. ECB29-4 (12L30) Terminal Block ECB29-4CB (12L45) 30A Circuit breaker	1	208	3.0	10,250	7.6	28	---	---	30	---	---	---	---
		220	3.4	11,450	7.6	30	---	---	30	---	---	---	---
		230	3.7	12,550	7.6	30	---	---	30	---	---	---	---
		240	4.0	13,650	7.6	30	---	---	30	---	---	---	---
5 kW 4 lbs. ECB29-5 (12L35) Terminal Block ECB29-5CB (12L47) 35A Circuit breaker	1	208	3.8	12,800	7.6	32	---	---	35	---	---	---	---
		220	4.2	14,300	7.6	36	---	---	⁴ 40	---	---	---	---
		230	4.6	15,700	7.6	36	---	---	⁴ 40	---	---	---	---
		240	5.0	17,100	7.6	36	---	---	⁴ 40	---	---	---	---
6 kW 4 lbs. ECB29-6 (12L44) Terminal Block ECB29-6CB (12L49) 40A Circuit breaker	1	208	4.5	15,400	7.6	37	---	---	40	---	---	---	---
		220	5.0	17,100	7.6	41	---	---	⁴ 45	---	---	---	---
		230	5.5	18,800	7.6	41	---	---	⁴ 45	---	---	---	---
		240	6.0	20,500	7.6	41	---	---	⁴ 45	---	---	---	---
8 kW 5 lbs. ECB29-8 (12L50) Terminal Block ECB29-8CB (12L52) 50A Circuit breaker	1	208	6.0	20,500	7.6	46	---	---	50	---	---	---	---
		220	6.7	22,900	7.6	51	---	---	⁴ 60	---	---	---	---
		230	7.3	25,100	7.6	51	---	---	⁴ 60	---	---	---	---
		240	8.0	27,300	7.6	51	---	---	⁴ 60	---	---	---	---
9 kW 5 lbs. ECB29-9CB (13T79) 60A Circuit breaker	2	208	6.8	23,100	7.6	50	---	---	⁴ 50	---	---	---	---
		220	7.6	25,800	7.6	56	---	---	60	---	---	---	---
		230	8.3	28,200	7.6	56	---	---	60	---	---	---	---
		240	9.0	30,700	7.6	56	---	---	60	---	---	---	---
12.5 kW 10 lbs. ECB29-12.5CB (13T88) (1) 30A Circuit breaker & (1) 45A Circuit breaker	2	208	9.4	32,000	7.6	28	38	---	30	⁴ 40	---	66	80
		220	10.5	35,800	7.6	31	43	---	⁴ 35	45	---	75	80
		230	11.5	39,200	7.6	31	43	---	⁴ 35	45	---	75	80
		240	12.5	42,600	7.6	31	43	---	⁴ 35	45	---	75	80
15 kW 12 lbs. ECB29-15CB (13T91) (1) 35A Circuit breaker & (1) 60A Circuit breaker	2	208	11.3	38,400	7.6	32	45	---	35	⁴ 45	---	77	80
		220	12.6	43,000	7.6	36	52	---	⁴ 40	60	---	88	90
		230	13.5	47,000	7.6	36	52	---	⁴ 40	60	---	88	90
		240	15.0	51,200	7.6	36	52	---	⁴ 40	60	---	88	90
20 kW 19 lbs. ECB29-20CB (13T92) (1) 60A Circuit breaker & (1) 60A Circuit breaker	2	208	15.0	51,200	7.6	50	50	---	⁴ 50	⁴ 50	---	100	125
		220	16.8	57,300	7.6	56	57	---	60	60	---	114	125
		230	18.4	62,700	7.6	56	57	---	60	60	---	114	125
		240	20.0	68,200	7.6	56	57	---	60	60	---	114	125
25 kW 19 lbs. ECB29-25CB (12L59) (1) 60A Circuit breaker & (2) 45A Circuit breakers	3	208	18.8	64,100	7.6	47	38	38	⁴ 50	⁴ 40	⁴ 40	123	125
		220	21.0	71,700	7.6	53	43	43	60	45	45	140	150
		230	23.0	78,300	7.6	53	43	43	60	45	45	140	150
		240	25.0	85,300	7.6	53	43	43	60	45	45	140	150

NOTE - Circuit 1 Minimum Circuit Ampacity includes the Blower Motor Full Load Amps.

¹ Electric heater capacity only - does not include additional blower motor heat capacity.

² Amps shown are for blower motor only.

³ Refer to National or Canadian Electrical Code manual to determine wire, fuse and disconnect size requirements. Use wires suitable for at least 167°F.

⁴ Bold text indicates that the circuit breaker on "CB" circuit breaker models must be replaced with size noted. See Table on Page 9.

⁵ HACR type circuit breaker or fuse.

ELECTRIC HEAT DATA - CBX27UH-048

THREE PHASE

Model Number	No. of Stages	Input			² Blower Motor Full Load Amps	³ Minimum Circuit Ampacity		⁵ Maximum Overcurrent Protection		Single Point Power Source	
		Volts	kW	¹ Btuh		Ckt 1	Ckt 2	Ckt 1	Ckt 2	³ Minimum Circuit Ampacity	⁵ Maximum Overcurrent Protection
8 kW 5 lbs. ECB29-8 (12L61) Terminal block	1	208	6.0	20,500	7.6	30	---	30	---	---	---
		220	6.7	22,900	7.6	33	---	35	---	---	---
		230	7.3	25,100	7.6	33	---	35	---	---	---
		240	8.0	27,300	7.6	33	---	35	---	---	---
10 kW 6 lbs. ECB29-10 (12L62) Terminal Block	1	208	7.5	25,600	7.6	36	---	40	---	---	---
		220	8.4	28,700	7.6	40	---	40	---	---	---
		230	9.2	31,400	7.6	40	---	40	---	---	---
		240	10.0	34,100	7.6	40	---	40	---	---	---
ECB29-10 (28K47) (3) 20A Fuses	1	440	8.4	28,700	4.0	18	---	20	---	---	---
		460	9.2	31,400	4.0	19	---	20	---	---	---
		480	10.0	34,100	4.0	20	---	25	---	---	---
15 kW 12 lbs. ECB29-15CB (12L63) 50A Circuit breaker	1	208	11.3	38,400	7.6	49	---	50	---	---	---
		220	12.6	43,000	7.6	55	---	460	---	---	---
		230	13.5	47,000	7.6	55	---	460	---	---	---
		240	15.0	51,200	7.6	55	---	460	---	---	---
ECB29-15 (28K48) (3) 25A Fuses	1	440	12.6	43,000	4.0	25	---	30	---	---	---
		460	13.5	47,000	4.0	26	---	30	---	---	---
		480	15.0	51,200	4.0	27	---	30	---	---	---
20 kW 19 lbs. ECB29-20CB (12L64) (2) 35A Circuit breaker	2	208	15.0	51,200	7.6	36	26	440	430	62	70
		220	16.8	57,300	7.6	40	30	440	430	70	70
		230	18.4	62,700	7.6	40	30	440	430	70	70
		240	20.0	68,200	7.6	40	30	440	430	70	70
ECB29-20 (28K49) (3) 35A Fuses	1	440	16.8	57,300	4.0	33	---	35	---	---	---
		460	18.4	62,700	4.0	34	---	35	---	---	---
		480	20.0	68,200	4.0	35	---	40	---	---	---
⁶ ECB29-20 (28K51) (3) 25A Fuses	1	550	16.8	57,300	4.0	27	---	30	---	---	---
		575	18.4	62,700	4.0	28	---	30	---	---	---
		600	20.0	68,200	4.0	29	---	30	---	---	---
25 kW 19 lbs. ECB29-25CB (12L65) (2) 45A Circuit breaker	2	208	18.8	64,100	7.6	42	33	450	435	75	80
		220	21.0	71,700	7.6	47	38	450	440	85	90
		230	23.0	78,300	7.6	47	38	450	440	85	90
		240	25.0	85,300	7.6	47	38	450	440	85	90
ECB29-25 (28K50) (3) 40A Fuses	1	440	21.0	71,700	4.0	39	---	40	---	---	---
		460	23.0	78,300	4.0	41	---	45	---	---	---
		480	25.0	85,300	4.0	42	---	45	---	---	---
⁶ ECB29-25 (28K52) (3) 35A Fuses	1	550	21.0	71,700	4.0	32	---	35	---	---	---
		575	23.0	78,300	4.0	34	---	35	---	---	---
		600	25.0	85,300	4.0	35	---	40	---	---	---

NOTE - Circuit 1 Minimum Circuit Ampacity includes the Blower Motor Full Load Amps.

¹ Electric heater capacity only - does not include additional blower motor heat capacity.

² Amps shown are for blower motor only.

³ Refer to National or Canadian Electrical Code manual to determine wire, fuse and disconnect size requirements. Use wires suitable for at least 167°F.

⁴ Bold text indicates that the circuit breaker on "CB" circuit breaker models must be replaced with size noted. See Table on Page 9.

⁵ HACR type circuit breaker or fuse.

⁶ Blower motor is rated at 460V.

ELECTRIC HEAT DATA - CBX27UH-060

SINGLE PHASE

Model Number	No. of Stages	Input			² Blower Motor Full Load Amps	³ Minimum Circuit Ampacity			⁵ Maximum Overcurrent Protection			Single Point Power Source	
		Volts	kW	¹ Btuh		Ckt 1	Ckt 2	Ckt 3	Ckt 1	Ckt 2	Ckt 3	³ Minimum Circuit Ampacity	⁵ Maximum Overcurrent Protection
4 kW 4 lbs. ECB29-4 (12L30) Terminal Block ECB29-4CB (12L45) 30A Circuit breaker	1	208	3.0	10,250	7.6	28	---	---	30	---	---	---	---
		220	3.4	11,450	7.6	30	---	---	30	---	---	---	---
		230	3.7	12,550	7.6	30	---	---	30	---	---	---	---
		240	4.0	13,650	7.6	30	---	---	30	---	---	---	---
5 kW 4 lbs. ECB29-5 (12L35) Terminal Block ECB29-5CB (12L47) 35A Circuit breaker	1	208	3.8	12,800	7.6	32	---	---	35	---	---	---	---
		220	4.2	14,300	7.6	36	---	---	440	---	---	---	---
		230	4.6	15,700	7.6	36	---	---	440	---	---	---	---
		240	5.0	17,100	7.6	36	---	---	440	---	---	---	---
6 kW 4 lbs. ECB29-6 (12L44) Terminal Block ECB29-6CB (12L49) 40A Circuit breaker	1	208	4.5	15,400	7.6	37	---	---	40	---	---	---	---
		220	5.0	17,100	7.6	41	---	---	445	---	---	---	---
		230	5.5	18,800	7.6	41	---	---	445	---	---	---	---
		240	6.0	20,500	7.6	41	---	---	445	---	---	---	---
8 kW 5 lbs. ECB29-8 (12L50) Terminal Block ECB29-8CB (12L52) 50A Circuit breaker	1	208	6.0	20,500	7.6	46	---	---	50	---	---	---	---
		220	6.7	22,900	7.6	51	---	---	460	---	---	---	---
		230	7.3	25,100	7.6	51	---	---	460	---	---	---	---
		240	8.0	27,300	7.6	51	---	---	460	---	---	---	---
9 kW 5 lbs. ECB29-9CB (13T79) 60A Circuit breaker	2	208	6.8	23,100	7.6	50	---	---	450	---	---	---	---
		220	7.6	25,800	7.6	56	---	---	60	---	---	---	---
		230	8.3	28,200	7.6	56	---	---	60	---	---	---	---
		240	9.0	30,700	7.6	56	---	---	60	---	---	---	---
12.5 kW 10 lbs. ECB29-12.5CB (13T88) (1) 30A Circuit breaker & (1) 45A Circuit breaker	2	208	9.4	32,000	7.6	28	38	---	30	440	---	66	70
		220	10.5	35,800	7.6	31	43	---	435	45	---	75	80
		230	11.5	39,200	7.6	31	43	---	435	45	---	75	80
		240	12.5	42,600	7.6	31	43	---	435	45	---	75	80
15 kW 12 lbs. ECB29-15CB (13T91) (1) 35A Circuit breaker & (1) 60A Circuit breaker	2	208	11.3	38,400	7.6	32	45	---	35	445	---	77	80
		220	12.6	43,000	7.6	36	52	---	440	60	---	88	90
		230	13.5	47,000	7.6	36	52	---	440	60	---	88	90
		240	15.0	51,200	7.6	36	52	---	440	60	---	88	90
20 kW 19 lbs. ECB29-20CB (13T92) (1) 60A Circuit breaker & (1) 60A Circuit breaker	2	208	15.0	51,200	7.6	50	50	---	450	450	---	100	125
		220	16.8	57,300	7.6	56	57	---	60	60	---	114	125
		230	18.4	62,700	7.6	56	57	---	60	60	---	114	125
		240	20.0	68,200	7.6	56	57	---	60	60	---	114	125
25 kW 19 lbs. ECB29-25CB (12L59) (1) 60A Circuit breaker & (2) 45A Circuit breakers	3	208	18.8	64,100	7.6	47	38	38	450	440	440	123	125
		220	21.0	71,700	7.6	53	43	43	60	45	45	140	150
		230	23.0	78,300	7.6	53	43	43	60	45	45	140	150
		240	25.0	85,300	7.6	53	43	43	60	45	45	140	150

NOTE - Circuit 1 Minimum Circuit Ampacity includes the Blower Motor Full Load Amps.

¹ Electric heater capacity only - does not include additional blower motor heat capacity.

² Amps shown are for blower motor only.

³ Refer to National or Canadian Electrical Code manual to determine wire, fuse and disconnect size requirements. Use wires suitable for at least 167°F.

⁴ Bold text indicates that the circuit breaker on "CB" circuit breaker models must be replaced with size noted. See Table on Page 9.

⁵ HACR type circuit breaker or fuse.

ELECTRIC HEAT DATA - CBX27UH-060

THREE PHASE

Model Number	No. of Stages	Input			² Blower Motor Full Load Amps	³ Minimum Circuit Ampacity		⁵ Maximum Overcurrent Protection		Single Point Power Source	
		Volts	kW	¹ Btuh		Ckt 1	Ckt 2	Ckt 1	Ckt 2	³ Minimum Circuit Ampacity	⁵ Maximum Overcurrent Protection
8 kW 5 lbs. ECB29-8 (12L61) Terminal block	1	208	6.0	20,500	7.6	30	---	30	---	---	---
		220	6.7	22,900	7.6	33	---	35	---	---	---
		230	7.3	25,100	7.6	33	---	35	---	---	---
		240	8.0	27,300	7.6	33	---	35	---	---	---
10 kW 6 lbs. ECB29-10 (12L62) Terminal Block	1	208	7.5	25,600	7.6	36	---	40	---	---	---
		220	8.4	28,700	7.6	40	---	40	---	---	---
		230	9.2	31,400	7.6	40	---	40	---	---	---
		240	10.0	34,100	7.6	40	---	40	---	---	---
ECB29-10 (28K47) (3) 20A Fuses	1	440	8.4	28,700	4.0	18	---	20	---	---	---
		460	9.2	31,400	4.0	19	---	20	---	---	---
		480	10.0	34,100	4.0	20	---	25	---	---	---
15 kW 12 lbs. ECB29-15CB (12L63) 50A Circuit breaker	1	208	11.3	38,400	7.6	49	---	50	---	---	---
		220	12.6	43,000	7.6	55	---	60	---	---	---
		230	13.5	47,000	7.6	55	---	60	---	---	---
		240	15.0	51,200	7.6	55	---	60	---	---	---
ECB29-15 (28K48) (3) 25A Fuses	1	440	12.6	43,000	4.0	25	---	30	---	---	---
		460	13.5	47,000	4.0	26	---	30	---	---	---
		480	15.0	51,200	4.0	27	---	30	---	---	---
20 kW 19 lbs. ECB29-20CB (12L64) (2) 35A Circuit breaker	2	208	15.0	51,200	7.6	36	26	40	30	62	70
		220	16.8	57,300	7.6	40	30	40	30	70	70
		230	18.4	62,700	7.6	40	30	40	30	70	70
		240	20.0	68,200	7.6	40	30	40	30	70	70
ECB29-20 (28K49) (3) 35A Fuses	1	440	16.8	57,300	4.0	33	---	35	---	---	---
		460	18.4	62,700	4.0	34	---	35	---	---	---
		480	20.0	68,200	4.0	35	---	40	---	---	---
⁶ ECB29-20 (28K51) (3) 25A Fuses	1	550	16.8	57,300	4.0	27	---	30	---	---	---
		575	18.4	62,700	4.0	28	---	30	---	---	---
		600	20.0	68,200	4.0	29	---	30	---	---	---
25 kW 19 lbs. ECB29-25CB (12L65) (2) 45A Circuit breaker	2	208	18.8	64,100	7.6	42	33	45	35	75	80
		220	21.0	71,700	7.6	47	38	50	40	85	90
		230	23.0	78,300	7.6	47	38	50	40	85	90
		240	25.0	85,300	7.6	47	38	50	40	85	90
ECB29-25 (28K50) (3) 40A Fuses	1	440	21.0	71,700	4.0	39	---	40	---	---	---
		460	23.0	78,300	4.0	41	---	45	---	---	---
		480	25.0	85,300	4.0	42	---	45	---	---	---
⁶ ECB29-25 (28K52) (3) 35A Fuses	1	550	21.0	71,700	4.0	32	---	35	---	---	---
		575	23.0	78,300	4.0	34	---	35	---	---	---
		600	25.0	85,300	4.0	35	---	40	---	---	---

NOTE - Circuit 1 Minimum Circuit Ampacity includes the Blower Motor Full Load Amps.

¹ Electric heater capacity only - does not include additional blower motor heat capacity.

² Amps shown are for blower motor only.

³ Refer to National or Canadian Electrical Code manual to determine wire, fuse and disconnect size requirements. Use wires suitable for at least 167°F.

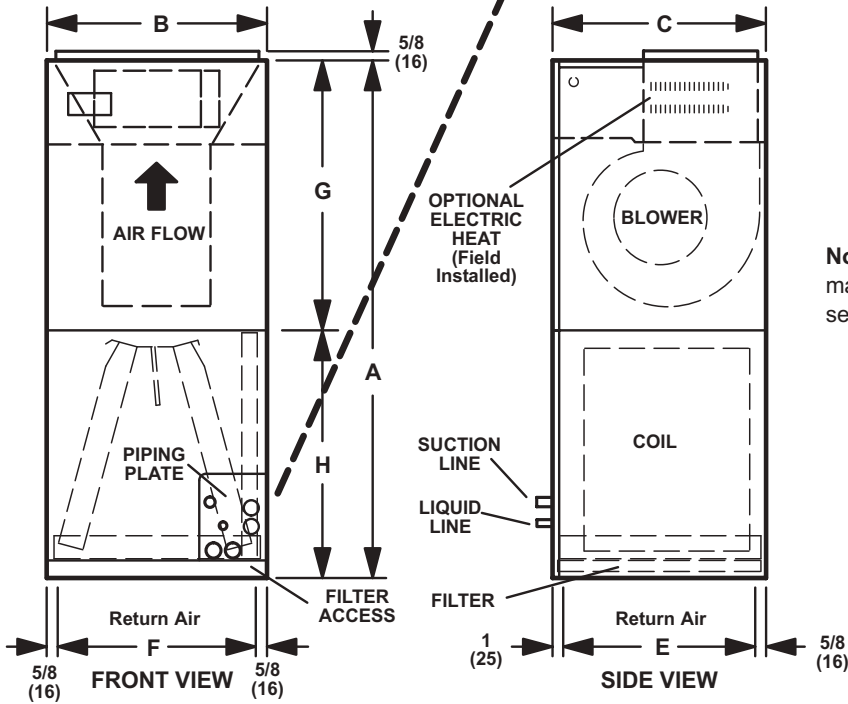
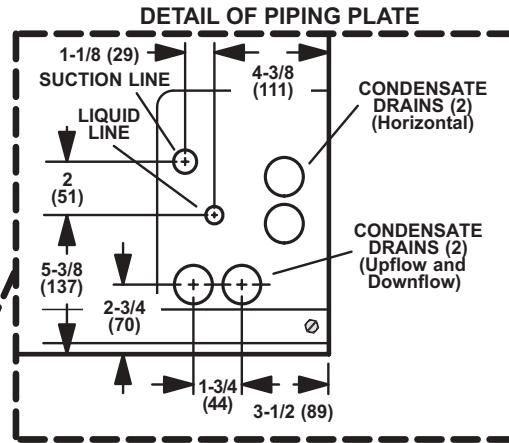
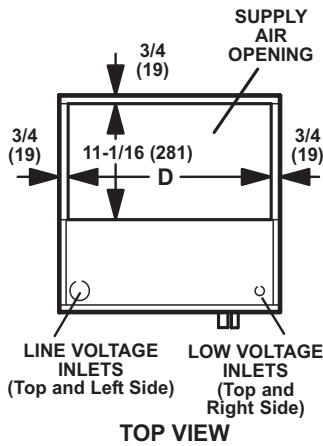
⁴ Bold text indicates that the circuit breaker on "CB" circuit breaker models must be replaced with size noted. See Table on Page 9.

⁵ HACR type circuit breaker or fuse.

⁶ Blower motor is rated at 460V.

DIMENSIONS - INCHES (MM)

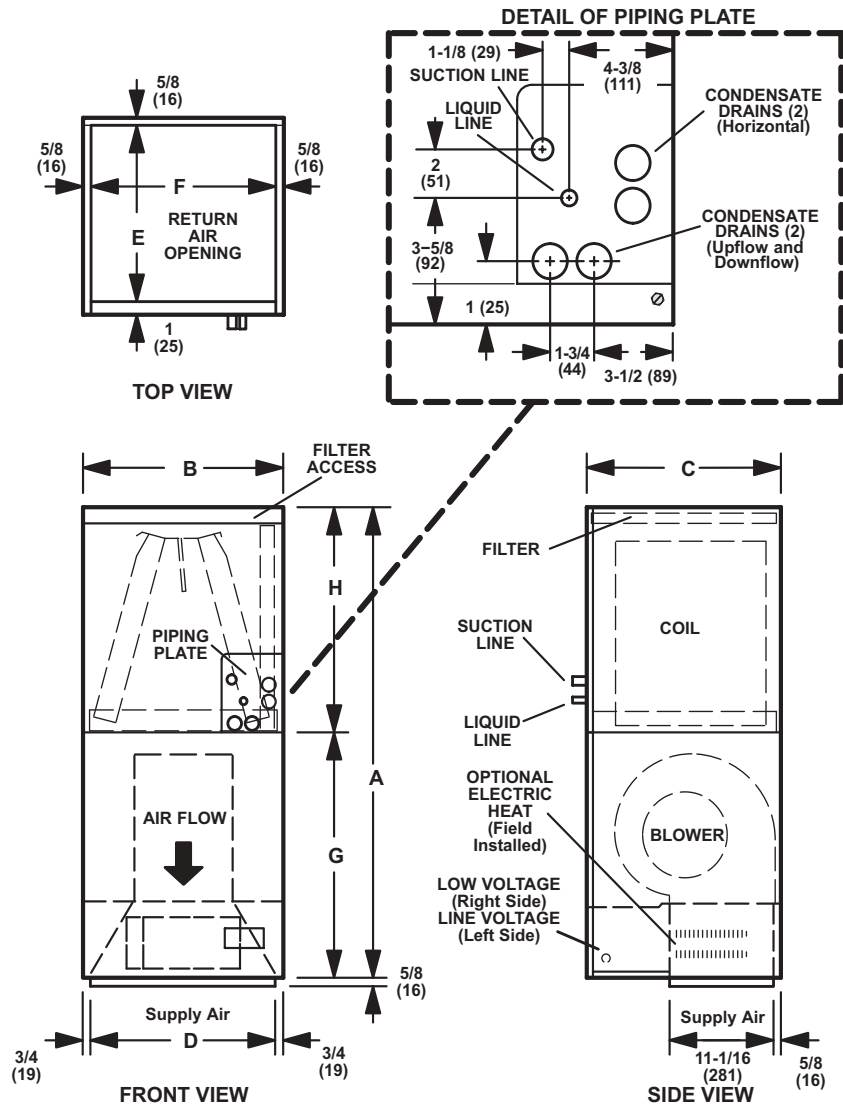
UPFLOW POSITION



Note – Units are shipped in one piece but may be disassembled into two separate sections for ease of installation.

Model No.		A	B	C	D	E	F	G	H
CBX27UH-018	in.	49-1/4	21-1/4	20-5/8	19-3/4	19	20	24-5/8	24-5/8
	mm	1251	540	524	502	483	508	625	625
CBX27UH-024	in.	51	21-1/4	22-5/8	19-3/4	21	20	26-3/8	24-5/8
	mm	1295	540	575	502	533	508	670	625
CBX27UH-030	in.	58-1/2	21-1/4	24-5/8	19-3/4	23	20	27-7/8	30-5/8
	mm	1486	540	625	502	584	508	708	778
CBX27UH-042	in.	62-1/2	21-1/4	24-5/8	19-3/4	23	20	27-7/8	34-5/8
	mm	1588	540	625	502	584	508	708	879

**DOWNFLOW POSITION with
Optional Downflow Conversion Kit (Required)**

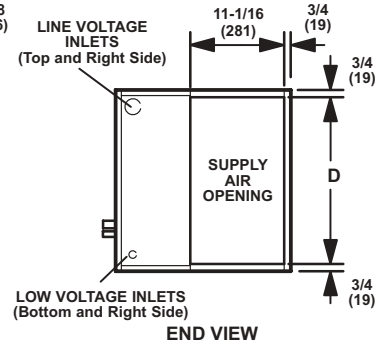
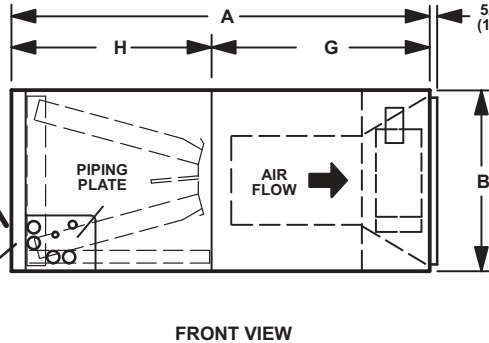
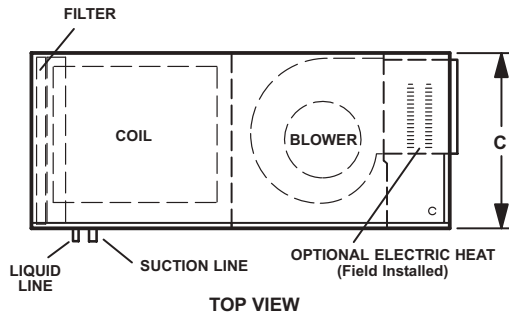
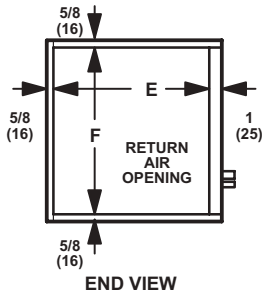
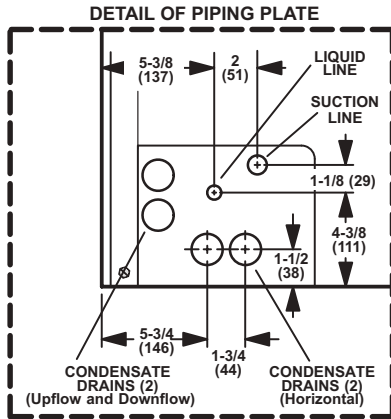


Note – Units are shipped in one piece but may be disassembled into two separate sections for ease of installation.

Model No.		A	B	C	D	E	F	G	H
CBX27UH-018 CBX27UH-024	in.	49-1/4	21-1/4	20-5/8	19-3/4	19	20	24-5/8	24-5/8
	mm	1251	540	524	502	483	508	625	625
CBX27UH-030 CBX27UH-036	in.	51	21-1/4	22-5/8	19-3/4	21	20	26-3/8	24-5/8
	mm	1295	540	575	502	533	508	670	625
CBX27UH-042 CBX27UH-048	in.	58-1/2	21-1/4	24-5/8	19-3/4	23	20	27-7/8	30-5/8
	mm	1486	540	625	502	584	508	708	778
CBX27UH-060	in.	62-1/2	21-1/4	24-5/8	19-3/4	23	20	27-7/8	34-5/8
	mm	1588	540	625	502	584	508	708	879

DIMENSIONS - INCHES (MM)

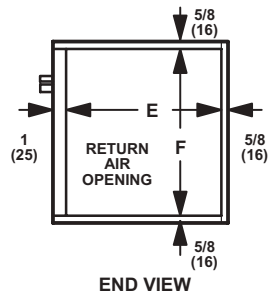
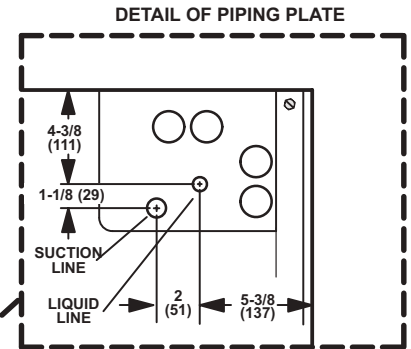
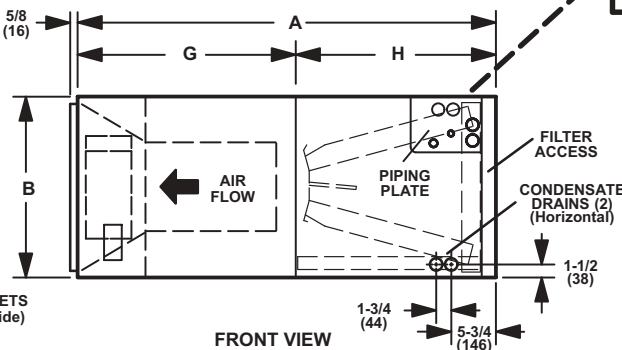
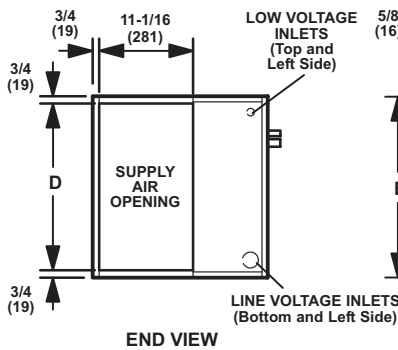
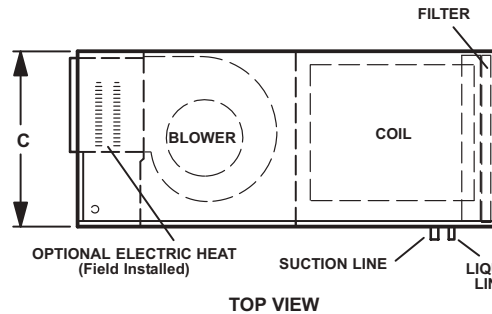
RIGHT-HAND AIR DISCHARGE



Note - Units are shipped in one piece but may be disassembled into two separate sections for ease of installation.

LEFT-HAND AIR DISCHARGE

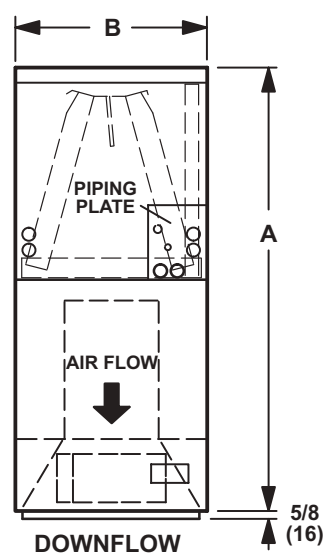
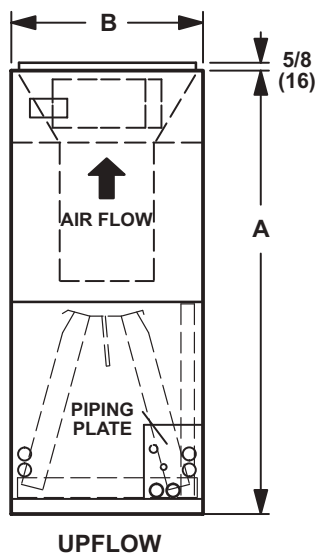
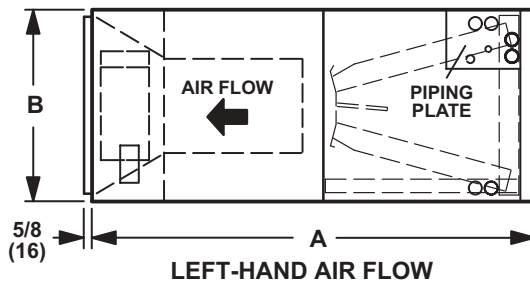
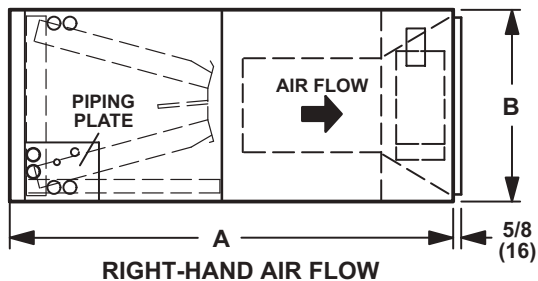
Note - Units are shipped in one piece but may be disassembled into two separate sections for ease of installation.



Model No.	A		B		C		D		E		F		G		H	
	inch	mm	inch	mm	inch	mm	inch	mm	inch	mm	inch	mm	inch	mm	inch	mm
CBX27UH-018 CBX27UH-024	49-1/4	1251	21-1/4	540	20-5/8	524	19-3/4	502	19	483	20	508	24-5/8	625	24-5/8	625
CBX27UH-030 CBX27UH-036	51	1295	21-1/4	540	22-5/8	575	19-3/4	502	21	533	20	508	26-3/8	670	24-5/8	625
CBX27UH-042 CBX27UH-048	58-1/2	1486	21-1/4	540	24-5/8	625	19-3/4	502	23	584	20	508	27-7/8	708	30-5/8	778
CBX27UH-060	62-1/2	1588	21-1/4	540	24-5/8	625	19-3/4	502	23	584	20	508	27-7/8	708	34-5/8	879

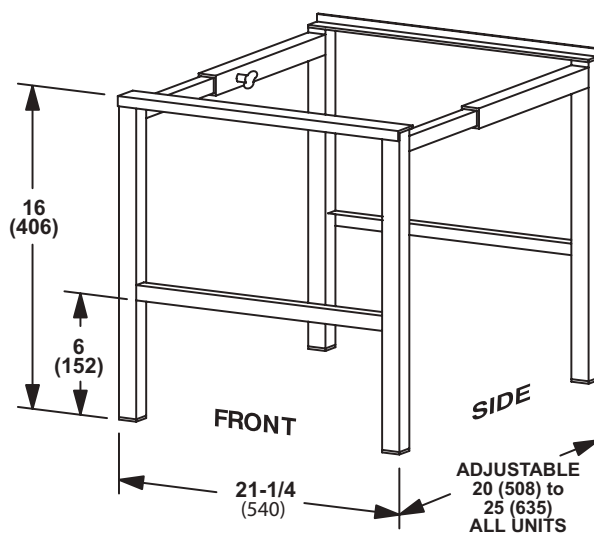
DIMENSIONS - INCHES (MM)

AIR FLOW



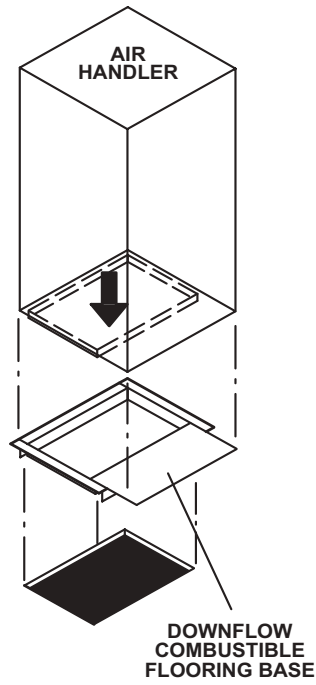
Model No.	A		B	
	in.	mm	in.	mm
CBX27UH-018	49-1/4	1251	21-1/4	540
CBX27UH-024	49-1/4	1251	21-1/4	540
CBX27UH-030	51	1295	21-1/4	540
CBX27UH-036	51	1295	21-1/4	540
CBX27UH-042	58-1/2	1486	21-1/4	540
CBX27UH-048	58-1/2	1486	21-1/4	540
CBX27UH-060	62-1/2	1588	21-1/4	540

SIDE RETURN UNIT STAND (Upflow Only)

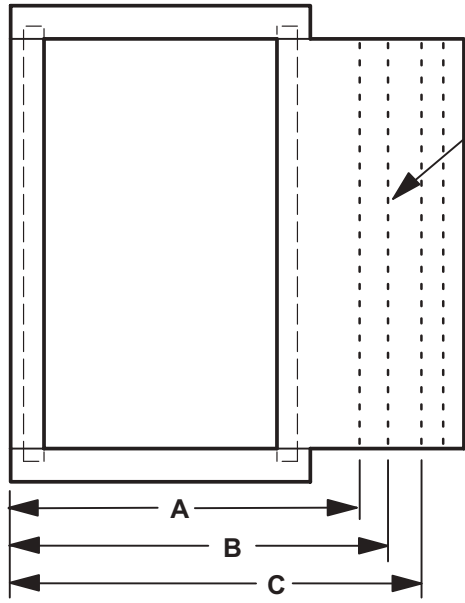
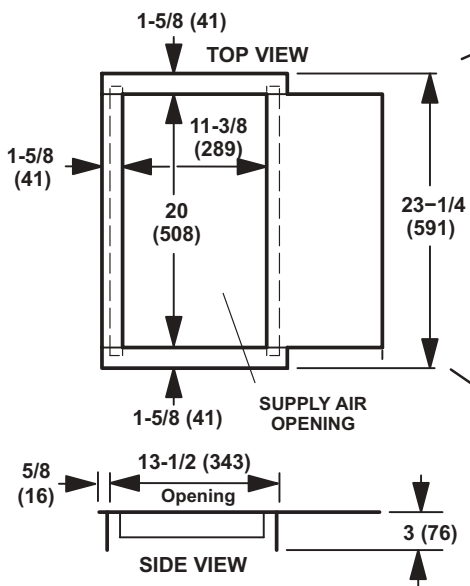


DIMENSIONS - INCHES (MM)

DOWNFLOW COMBUSTIBLE FLOORING BASE



Catalog No. - 44K15



Break off extended width at pre-perforated line to fit specific air handler application.
NOTE - Width of base includes an additional 2 in. (51 mm) for air handler positioning adjustment.

Model No.	018, 024		030, 036		042, 048, 060	
	in.	mm	in.	mm	in.	mm
A	22-5/8	575	---	---	---	---
B	---	---	24-5/8	625	---	---
C	---	---	---	---	26-5/8	676

REVISIONS

Sections	Description of Change
Electric Heat Data	Updated circuit breaker type and usage for most single phase ECB29 models to reduce number of circuit breaker field replacements.



Visit us at www.lennox.com

For the latest technical information, www.LennoxPROs.com

Contact us at 1-800-4-LENNOX

NOTE - Due to Lennox' ongoing commitment to quality, Specifications, Ratings and Dimensions subject to change without notice and without incurring liability. Improper installation, adjustment, alteration, service or maintenance can cause property damage or personal injury. Installation and service must be performed by a qualified installer and servicing agency.

©2017 Lennox Industries, Inc.