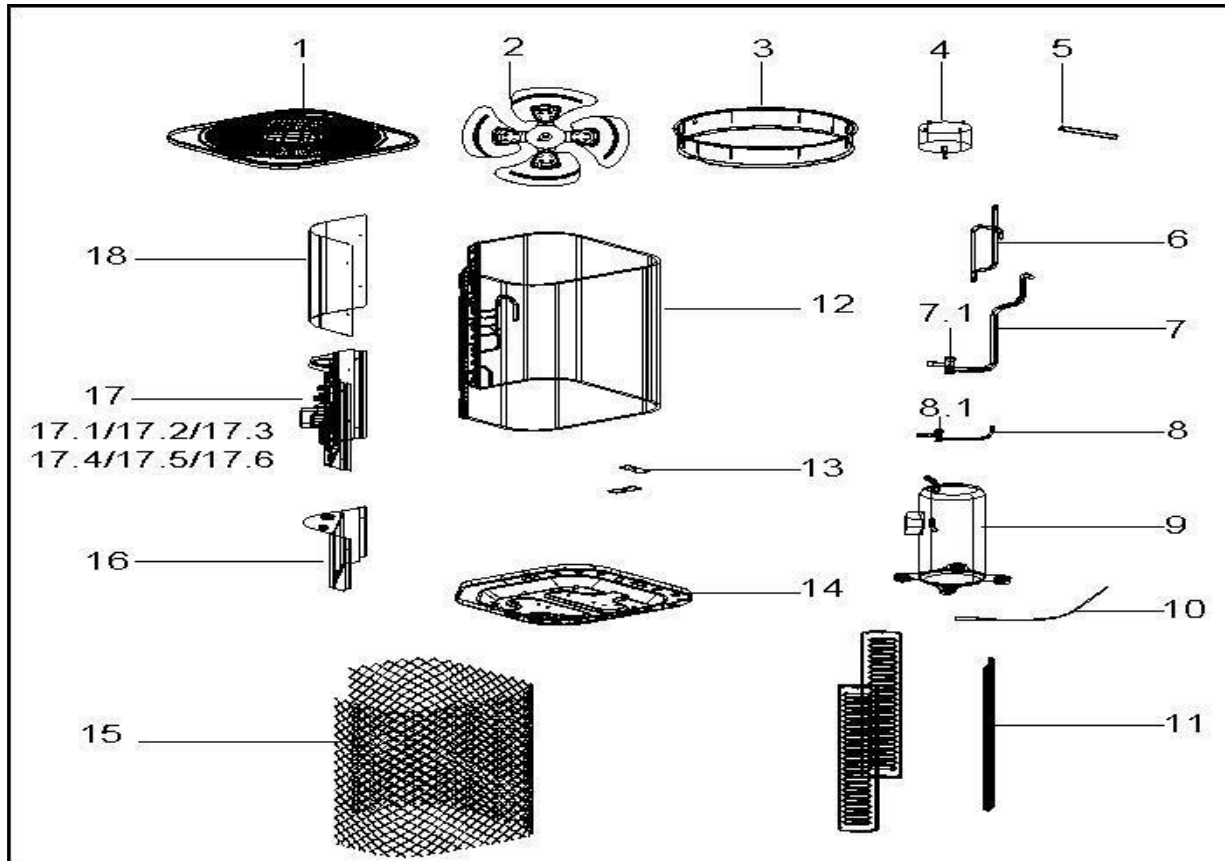


LENNOX RAC Exploded View

Sale Model: MOVB-24C-V
Factory Model: SA-KF71W-411V
Product Name: EXP_22023116000037(SA-KF71W-411V)
Power Supply: 208-230V~ 60Hz 1Phase **Export Time:**



No.	Part Name	BOM Code
1	Top cover assembly	12223100000297
2	Axial fan	12200104000002
3	Air Guide Coil	12123000000225
4	Single-phase Asynchronous Motor	11002012002394
5	Wire-crossing conduit	12123000000203
6	Parts of compressor exhaust pipe	15122200000819
7	Low Pressure valve assembly	15423000001313
7.1	Square-body Valve	15500206000014
8	Liquid valve Assembly	15423000001082
8.1	Square-body Valve	15500206000008
9	Fixed speed rotary compressor	11103010001629
10	Grounding Group for PVC Sleeve Compressor	17401203000419
11	Supporting bar	12223100000011

12	Condenser Assembly	15823000000819
13	Nonskid Mat I of Condenser	12600401000019
14	Chassis Assembly	12223100000198
15	Rear Net	12123000000192
16	Underside board	12223100000167
17	Outdoor E-Parts Box Subassembly	17223100000002
17.1	Installation board for E-parts	12223100000163
17.2	Electric Installing Plate Subassembly	12223100000215
17.3	AC contactor	11203502000097
17.4	Compressor Capacitor(Round)	17400103000061
17.5	Wire holder	17400401000020
17.5	Wire holder	17400401000056
17.6	Capacitor	17400101000026
17.7	Electric Installing Plate Subassembly	12223100000215
17.8	Compressor Capacitor(Round)	17400103000061
18	Upper Side Plate	12223100000222
26	Bracing plate of compressor	12223100000108