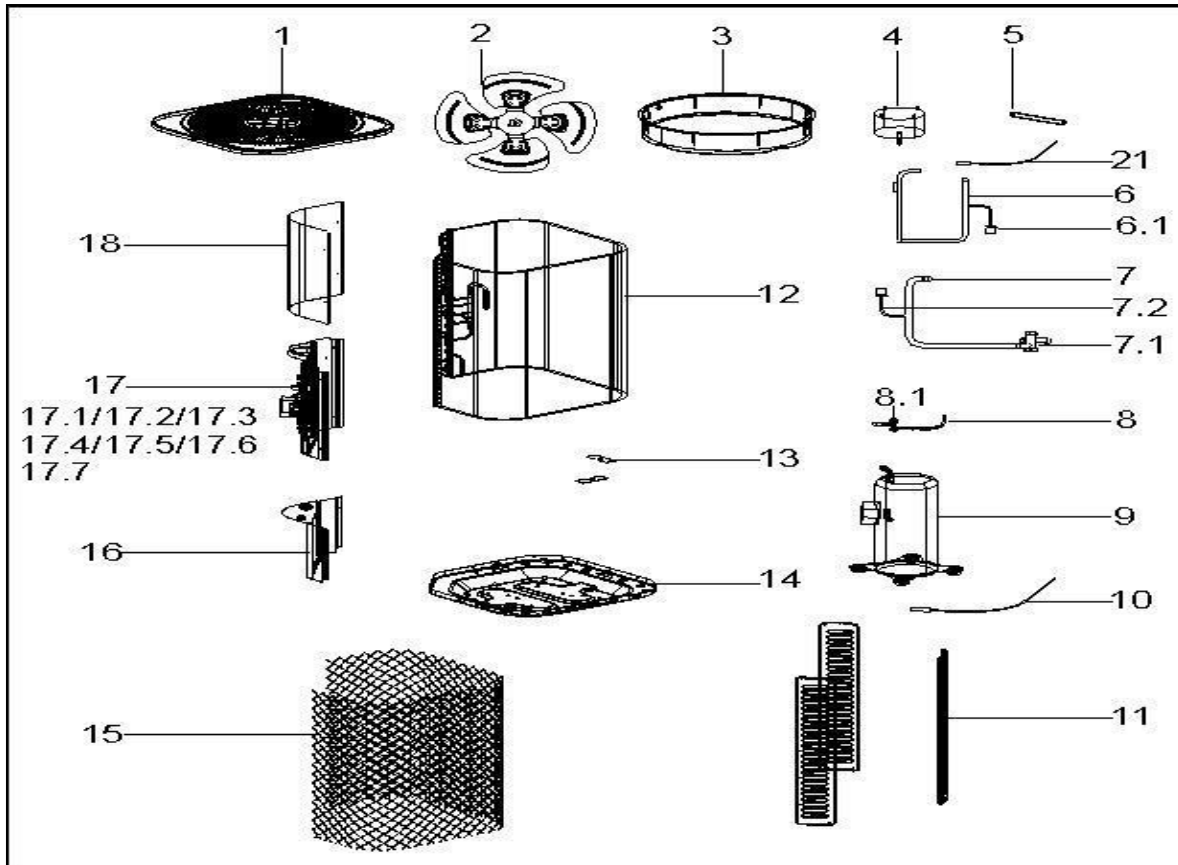


# LENNOX RAC Exploded View

**Sale Model:** MOV-36C-C  
**Factory Model:** SA-KF105W/S2-412V  
**Product Name:** EXP\_22022516000089(SA-KF105W/S2-412V)  
**Power Supply:** 380V~60Hz 3Phase **Export Time:**



No.	Part Name	BOM Code
1	Top cover assembly	12223100000297
2	Axial fan	12200104000002
3	Air Guide Coil	12123000000225
4	Single-phase Asynchronous Motor	11002012003909
5	Wire-crossing conduit	12123000000203
6	Parts of compressor exhaust pipe	15123000004158
6.1	Pressure controller	17400516000005
7	Low Pressure Valve assembly	15423000001174
7.1	Square-body Valve	15500206000015
7.2	Pressure controller	17400516000009
8	Liquid valve Assembly	15423000001082
8.1	Square-body Valve	15500206000008
9	Fixed speed scroll compressor	11102010000120

10	Connection cable assembly of compressor	17401203000896
11	Supporting bar	12223100000013
12	Condenser Assembly	15823000000791
13	Nonskid Mat I of Condenser	12600401000019
14	Chassis Assembly	12223100000081
15	Rear Net	12123000000194
16	Underside board	12223100000280
17	Outdoor E-Parts Box Subassembly	17223100000085
17.1	Installation board for E-parts	12223100000163
17.2	Subassembly of Outdoor Main Control Board	17123100000005
17.3	AC contactor	11203502000003
17.4	Power Transformer	11203103000200
17.5	Wire holder	17400401000012
17.5	Wire holder	17400401000025
17.5	Wire holder	17400401000020
17.6	Capacitor	17400101000026
17.7	Electric Installing Plate Subassembly	12223100000215
18	Upper Side Plate	12223100000222
21	Discharge temperature sensor	17400513000009