



America's Premier Climate Comfort Brand since 1895

Submittal

Models: LM009CI-100P432/LM009CO-100P432
LM012CI-100P432/LM012CO-100P432
LM018CI-100P432/LM018CO-100P432
LM024CI-100P432/LM024CO-100P432
(Refrigerant R410A)

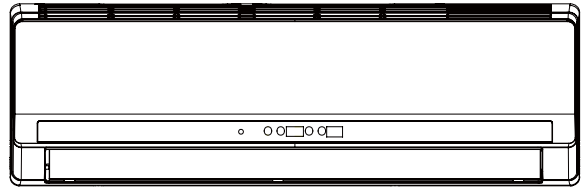
Thank you for selecting LENNOX air conditioners.

Part I : Technical Information

1. Summary

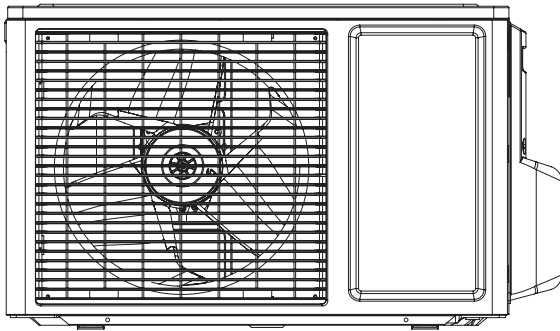
Indoor Unit:

LM009CI-100P432
LM012CI-100P432
LM018CI-100P432
LM024CI-100P432

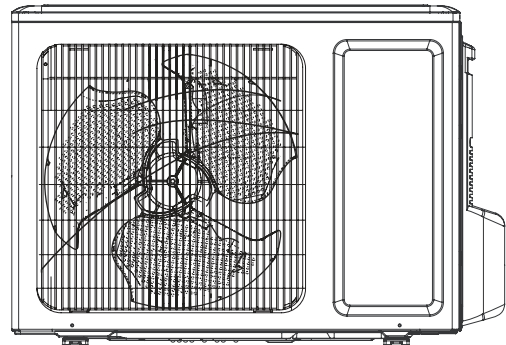


Outdoor Unit:

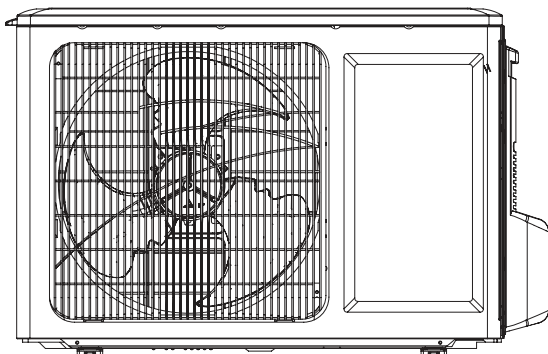
LM009CO-100P432



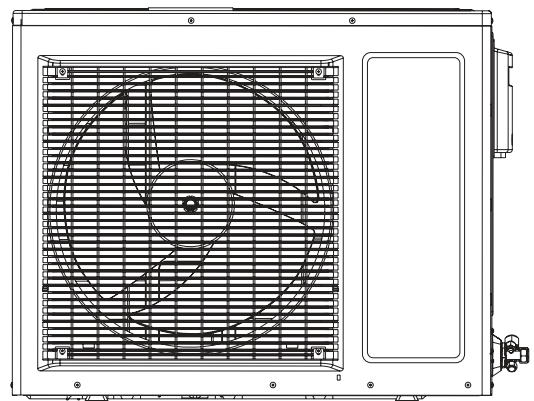
LM012CO-100P432



LM018CO-100P432



LM024CO-100P432



Remote Controller:



2. Specifications

2.1 Specification Sheet

Model			LM009CI-100P432/ LM009CO-100P432	LM012CI-100P432/ LM012CO-100P432	
Product Code			Y6130/Y6131	Y6132/Y6133	
Power Supply	Rated Voltage	V~	220-240	220-240	
	Rated Frequency	Hz	60	60	
	Phases		1	1	
Power Supply Mode			Indoor	Indoor	
Cooling Capacity		Btu/h	9000	11000	
Heating Capacity		Btu/h	/	/	
Cooling Power Input		W	1010	1235	
Heating Power Input		W	/	/	
Cooling Power Current		A	4.48	5.73	
Heating Power Current		A	/	/	
Rated Input		W	1185	1450	
Rated Current		A	6.40	6.73	
Air Flow Volume(SH/H/M/L/SL)		m ³ /h	400/350/310/280/-	550/500/420/350/-	
Dehumidifying Volume		L/h	0.8	1.2	
EER		(Btu/h)/W	8.9	9.0	
COP		(Btu/h)/W	/	/	
SEER		W/W	/	/	
HSPF		W/W	/	/	
Application Area		m ²	15-22	15-22	
Indoor Unit	Model of indoor unit		LM009CI-100P432	LM012CI-100P432	
	Fan Type		Cross-flow	Cross-flow	
	Diameter Length(DXL)		mm	Φ85X532	Φ85X596
	Fan Motor Cooling Speed(SH/H/M/L/SL)		r/min	1480/1370/1280/1150/-	1350/1250/1100/950/-
	Fan Motor Heating Speed(SH/H/M/L/SL)		r/min	/	/
	Output of Fan Motor		W	10	10
	Fan Motor RLA		A	0.17	0.16
	Fan Motor Capacitor		μF	1	1
	Input of Heater		W	/	/
	Evaporator Form			Aluminum Fin-copper Tube	Aluminum Fin-copper Tube
	Pipe Diameter		mm	Φ7	Φ7
	Row-fin Gap		mm	2-1.5	2-1.5
	Coil Length (LXDXW)		mm	526X25.4X228.6	581X25.4X264
	Swing Motor Model			MP24AA	MP24AA
	Output of Swing Motor		W	1.5	1.5
	Fuse		A	3.15	3.15
	Sound Pressure Level (SH/H/M/L/SL)		dB (A)	41/37/35/32/-	41/38/35/32/-
	Sound Power Level (SH/H/M/L/SL)		dB (A)	51/47/45/42/-	51/48/45/42/-
	Dimension (WXHXD)		mm	730X255X174	790X265X177
	Dimension of Carton Box (LXWXH)		mm	790X245X325	870X248X355
Dimension of Package(LXWXH)		mm	793X248X340	873X251X370	
Net Weight		kg	8	9	
Gross Weight		kg	9.5	10.5	

Outdoor Unit	Model of Outdoor Unit		LM009CO-100P432	LM012CO-100P432
	Product Code		Y6131	Y6133
	Compressor Manufacturer/Trademark		ZHUHAI LANDA COMPRESSOR CO.LTD.	RECHI PRECISION CO.,LTD.
	Compressor Model		QXA-B088rA090	44A282AK&FEKC
	Compressor Oil		RB68EP	RB68EP
	Compressor Type		Rotary	Rotary
	L.R.A.	A	25	29.5
	Compressor RLA	A	4	5
	Compressor Power Input	W	890	1125
	Overload Protector		Internal	Internal
	Throttling Method		Capillary	Capillary
	Operation Temp	°C	16~30	16~30
	Ambient Temp (Cooling)	°C	18~43	18~43
	Ambient Temp (Heating)	°C	/	/
	Condenser Form		Aluminum Fin-copper Tube	Aluminum Fin-copper Tube
	Pipe Diameter	mm	Φ7	Φ7
	Rows-fin Gap	mm	1-1.4	1-1.4
	Coil Length (LXDXW)	mm	666X12.7X400	730X12.7X495
	Fan Motor Speed	rpm	950	850
	Output of Fan Motor	W	20	30
	Fan Motor RLA	A	0.30	0.7
	Fan Motor Capacitor	μF	2	2
	Air Flow Volume of Outdoor Unit	m ³ /h	1600	1600
	Fan Type		Axial-flow	Axial-flow
	Fan Diameter	mm	Φ320	Φ394.5
	Defrosting Method		/	/
	Climate Type		T1	T1
	Isolation		I	I
	Moisture Protection		IP24	IP24
	Permissible Excessive Operating Pressure for the Discharge Side	MPa	3.8	3.8
	Permissible Excessive Operating Pressure for the Suction Side	MPa	1.2	1.2
	Sound Pressure Level (H/M/L)	dB (A)	50/-/-	52/-/-
	Sound Power Level (H/M/L)	dB (A)	60/-/-	62/-/-
Dimension (WXHXD)	mm	720X428X310	776X540X320	
Dimension of Carton Box (LXWXH)	mm	765X350X475	820X355X580	
Dimension of Package(LXWXH)	mm	768X353X490	823X358X595	
Net Weight	kg	25	30	
Gross Weight	kg	27.5	35	
Refrigerant		R410A	R410A	
Refrigerant Charge	kg	0.50	0.6	
Connection Pipe	Length	m	4	4
	Gas Additional Charge	g/m	15	15
	Outer Diameter Liquid Pipe	mm	Φ6	Φ6
	Outer Diameter Gas Pipe	mm	Φ9.52	Φ12
	Max Distance Height	m	10	10
	Max Distance Length	m	15	20
Note: The connection pipe applies metric diameter.				

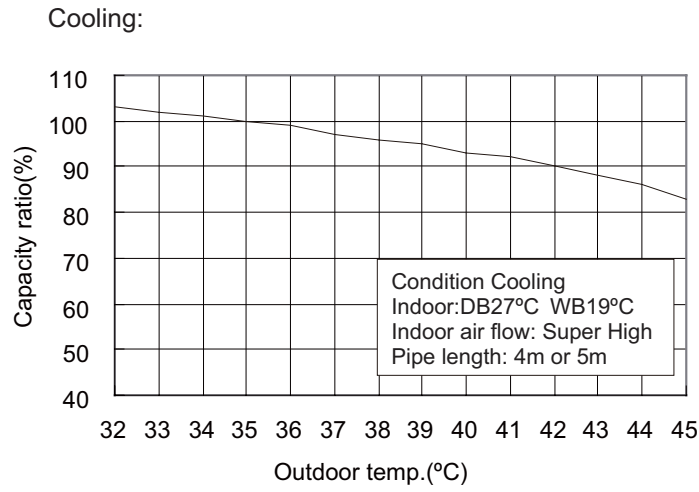
The above data is subject to change without notice. Please refer to the nameplate of the unit.

Model			LM018CI-100P432/ LM018CO-100P432	LM024CI-100P432/ LM024CO-100P432	
Product Code			Y6134/Y6135	Y6136/Y6137	
Power Supply	Rated Voltage	V~	220-240	220-240	
	Rated Frequency	Hz	60	60	
	Phases		1	1	
Power Supply Mode			Indoor	Indoor	
Cooling Capacity		Btu/h	16000	24000	
Heating Capacity		Btu/h	/	/	
Cooling Power Input		W	1800	1950	
Heating Power Input		W	/	/	
Cooling Power Current		A	7.98	8.84	
Heating Power Current		A	/	/	
Rated Input		W	2200	3000	
Rated Current		A	11.54	13.31	
Air Flow Volume(SH/H/M/L/SL)		m ³ /h	650/550/500/450/-	850/780/650/550/-	
Dehumidifying Volume		L/h	1.8	2	
EER		(Btu/h)/W	8.9	8.9	
COP		(Btu/h)/W	/	/	
SEER		W/W	/	/	
HSPF		W/W	/	/	
Application Area		m ²	21-31	27-42	
Indoor Unit	Model of indoor unit		LM018CI-100P432	LM024CI-100P432	
	Fan Type		Cross-flow	Cross-flow	
	Diameter Length(DXL)		mm	Φ92X645	Φ98X710
	Fan Motor Cooling Speed(SH/H/ML/SL)		r/min	1350/1250/1100/950/-	1350/1200/1050/900/-
	Fan Motor Heating Speed(SH/H/ML/SL)		r/min	/	/
	Output of Fan Motor		W	20	20
	Fan Motor RLA		A	0.31	0.31
	Fan Motor Capacitor		μF	1	1.5
	Input of Heater		W	/	/
	Evaporator Form			Aluminum Fin-copper Tube	Aluminum Fin-copper Tube
	Pipe Diameter		mm	Φ7	Φ7
	Row-fin Gap		mm	2-1.4	2-1.4
	Coil Length (LXD _X W)		mm	645X25.4X267	715X25.4X304.8
	Swing Motor Model			MP24AA	MP28VB
	Output of Swing Motor		W	2	2
	Fuse		A	3.15	3.15
	Sound Pressure Level (SH/H/M/L/SL)		dB (A)	46/43/40/37/-	45/42/39/35/-
	Sound Power Level (SH/H/M/L/SL)		dB (A)	56/53/50/47/-	55/52/49/45/-
	Dimension (WXHXD)		mm	845X275X180	940X298X200
	Dimension of Carton Box (LXWXH)		mm	915X255X355	1010X380X285
	Dimension of Package(LXWXH)		mm	918X258X370	1013X383X300
Net Weight		kg	10	13	
Gross Weight		kg	12	17	

Outdoor Unit	Model of Outdoor Unit		LM018CO-100P432	LM024CO-100P432
	Product Code		Y6135	Y6137
	Compressor Manufacturer/Trademark		ZHUHAI LANDA COMPRESSOR CO.,LTD.	Shanghai Hitachi Electrical Appliances Co.,LTD.
	Compressor Model		QXA-D17rE050	ASH201RN-C8LU
	Compressor Oil		ATMOS-RB68EP	HAF68D1
	Compressor Type		Rotary	Rotary
	L.R.A.	A	39	48
	Compressor RLA	A	7.80	8.94
	Compressor Power Input	W	1760	2056
	Overload Protector		Internal	Internal
	Throttling Method		Capillary	Capillary
	Operation Temp	°C	16~30	16~30
	Ambient Temp (Cooling)	°C	18~45	18~43
	Ambient Temp (Heating)	°C	/	/
	Condenser Form		Aluminum Fin-copper Tube	Aluminum Fin-copper Tube
	Pipe Diameter	mm	Φ7	Φ9.52
	Rows-fin Gap	mm	2-1.4	1-1.4
	Coil Length (LXDXW)	mm	735X25.4X495	806X22X660
	Fan Motor Speed	rpm	900±20	815
	Output of Fan Motor	W	48	68
	Fan Motor RLA	A	0.35	0.85
	Fan Motor Capacitor	μF	2.5	3.5
	Air Flow Volume of Outdoor Unit	m ³ /h	1800	2800
	Fan Type		Axial-flow	Axial-flow
	Fan Diameter	mm	Φ400	Φ460
	Defrosting Method		/	/
	Climate Type		T1	T1
	Isolation		I	I
	Moisture Protection		IP24	IP24
	Permissible Excessive Operating Pressure for the Discharge Side	MPa	4.3	3.8
	Permissible Excessive Operating Pressure for the Suction Side	MPa	2.5	1.2
	Sound Pressure Level (H/M/L)	dB (A)	57/-/-	58/-/-
	Sound Power Level (H/M/L)	dB (A)	67/-/-	68/-/-
Dimension (WXHXD)	mm	848X540X320	913X680X378	
Dimension of Carton Box (LXWXH)	mm	878X360X580	994X428X725	
Dimension of Package(LXWXH)	mm	881X363X595	997X431X740	
Net Weight	kg	39	46	
Gross Weight	kg	42	51	
Refrigerant		R410A	R410A	
Refrigerant Charge	kg	1.0	1.2	
Connection Pipe	Length	m	5	5
	Gas Additional Charge	g/m	30	20
	Outer Diameter Liquid Pipe	mm	Φ6	Φ6
	Outer Diameter Gas Pipe	mm	Φ12	Φ12
	Max Distance Height	m	10	10
	Max Distance Length	m	25	25
	Note: The connection pipe applies metric diameter.			

The above data is subject to change without notice. Please refer to the nameplate of the unit.

2.2 Capacity Curve in Different Outdoor Temperature



2.3 Cooling and Heating Data Sheet in Rated Frequency

Cooling:

Rated cooling condition(°C) (DB/WB)		Model	Pressure of gas pipe connecting indoor and outdoor unit	Inlet and outlet pipe temperature of heat exchanger		Fan speed of indoor unit	Fan speed of outdoor unit
Indoor	Outdoor			P (MPa)	T1 (°C)		
27/29	35/24	LM009CI-100P432/ LM009CO-100P432 LM012CI-100P432/ LM012CO-100P432	0.8~1.0	8~14	75~43	Super High	High
		LM018CI-100P432/ LM018CO-100P432 LM024CI-100P432/ LM024CO-100P432	0.9~1.1	9~12	75~37		

Instruction:

T1: Inlet and outlet pipe temperature of evaporator

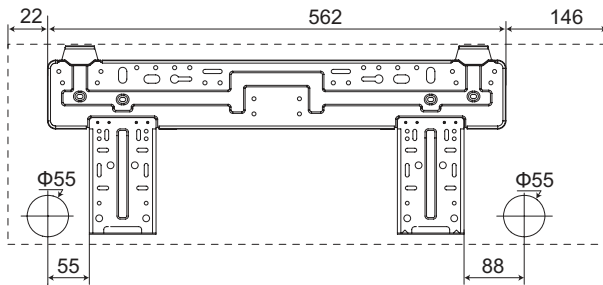
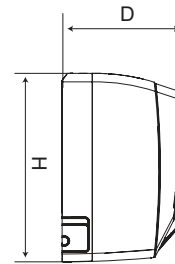
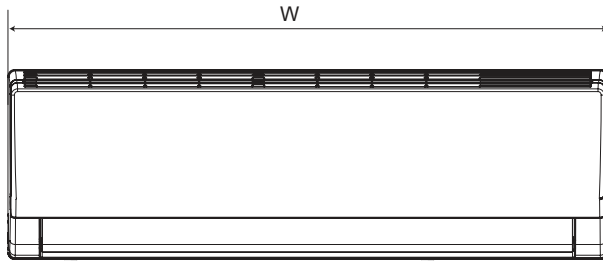
T2: Inlet and outlet pipe temperature of condenser

P: Pressure at the side of big valve

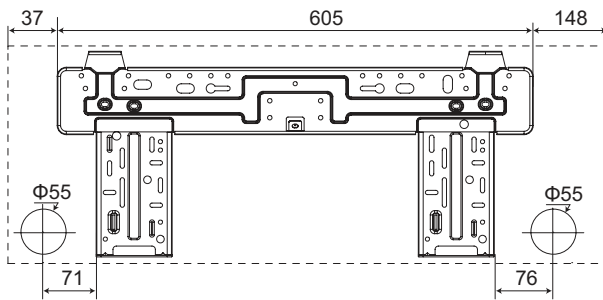
Connection pipe length: 4 or 5 m.

3. Outline Dimension Diagram

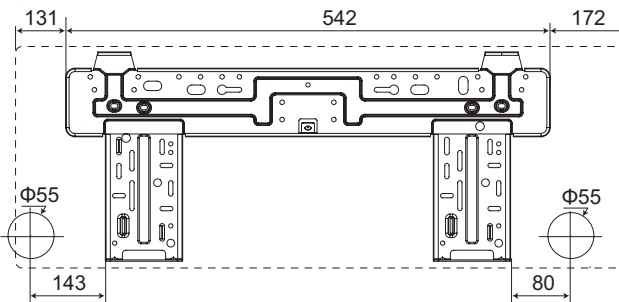
3.1 Indoor Unit



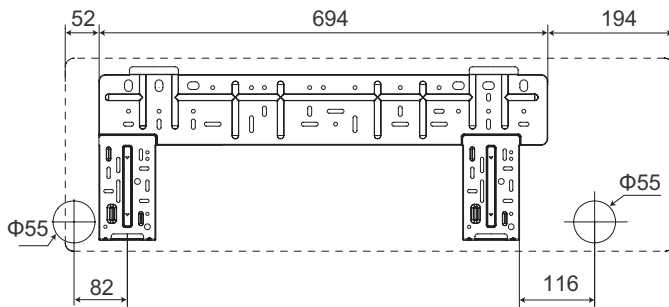
LM009CI-100P432



LM012CI-100P432



LM018CI-100P432



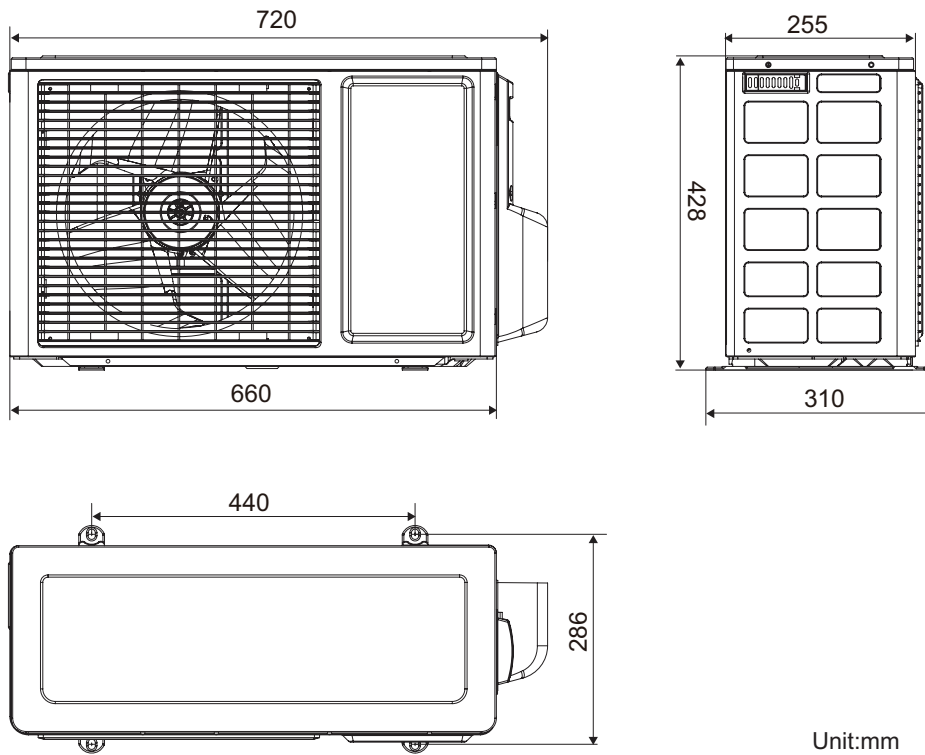
LM024CI-100P432

Unit:mm

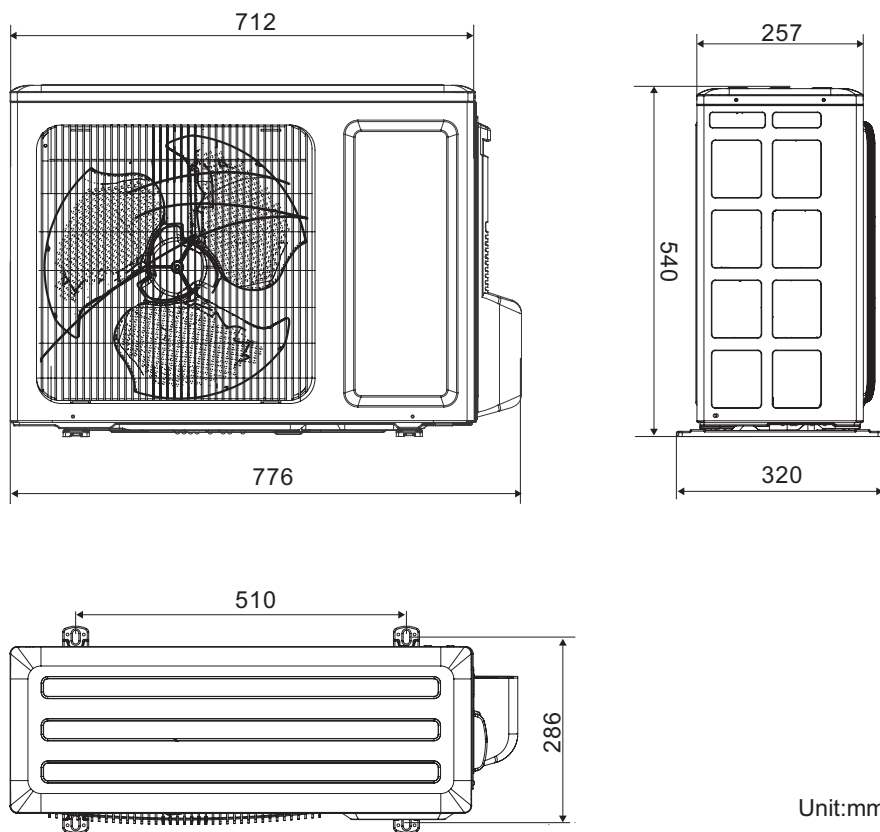
Model	W	H	D
LM009CI-100P432	730	255	174
LM012CI-100P432	790	265	177
LM018CI-100P432	845	275	180
LM024CI-100P432	940	298	200

3.2 Outdoor Unit

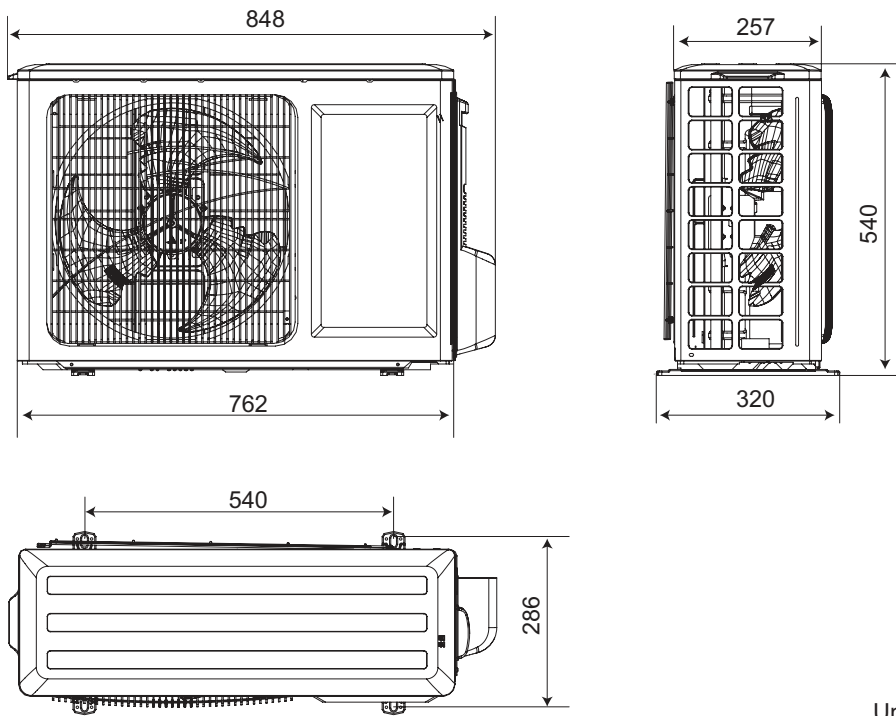
LM009CO-100P432



LM012CO-100P432

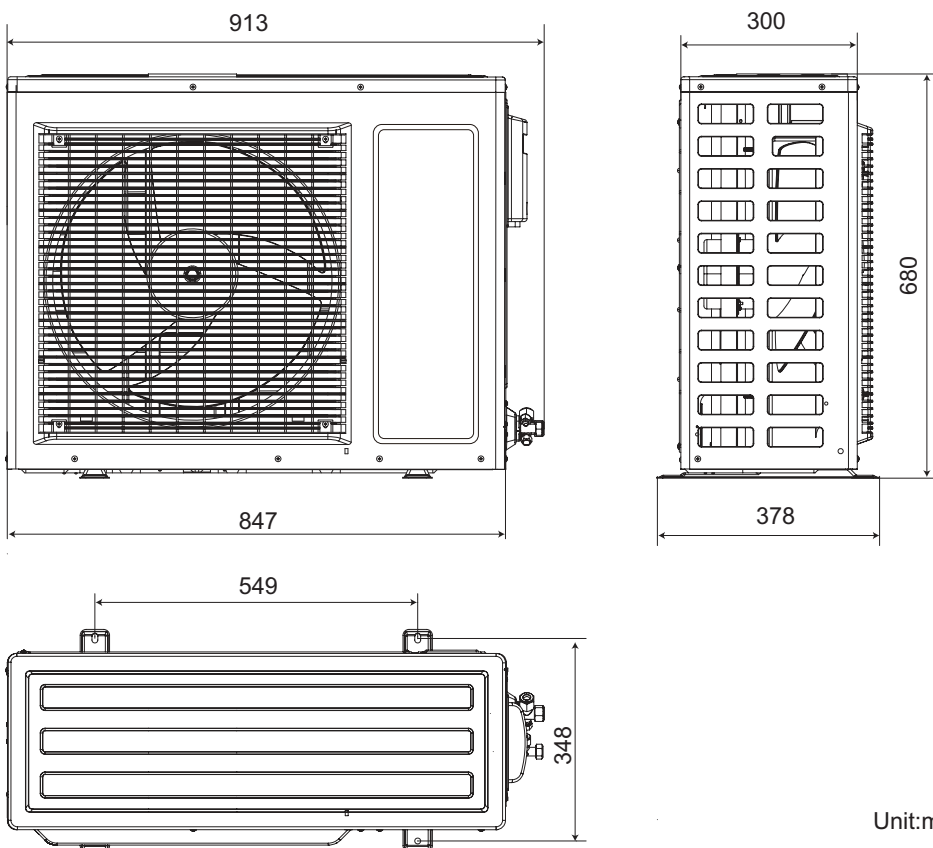


LM018CO-100P432



Unit:mm

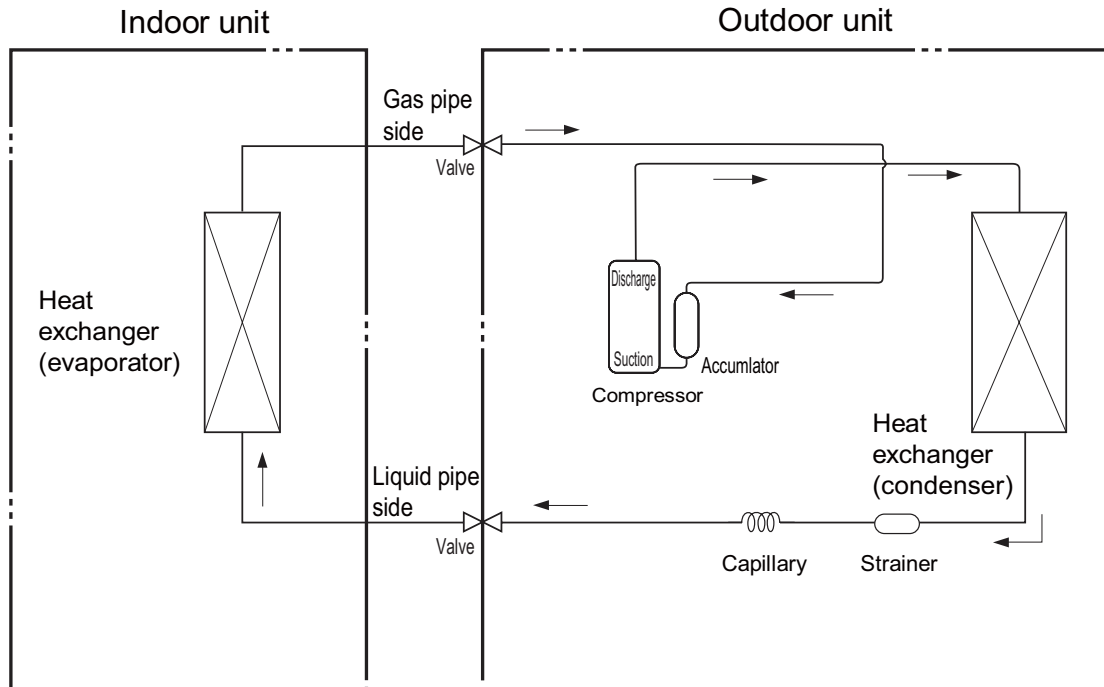
LM024CO-100P432



Unit:mm

4. Refrigerant System Diagram

Cooling only model



Connection pipe specification:

Liquid: 1/4" (6 mm)

Gas: 3/8" (9.52 mm)

(LM009CI-100P432/LM009CO-100P432)

Gas: 1/2" (12 mm)

(LM012CI-100P432/LM012CO-100P432)

(LM018CI-100P432/LM018CO-100P432)

(LM024CI-100P432/LM024CO-100P432)

5. Electrical Part

5.1 Wiring Diagram

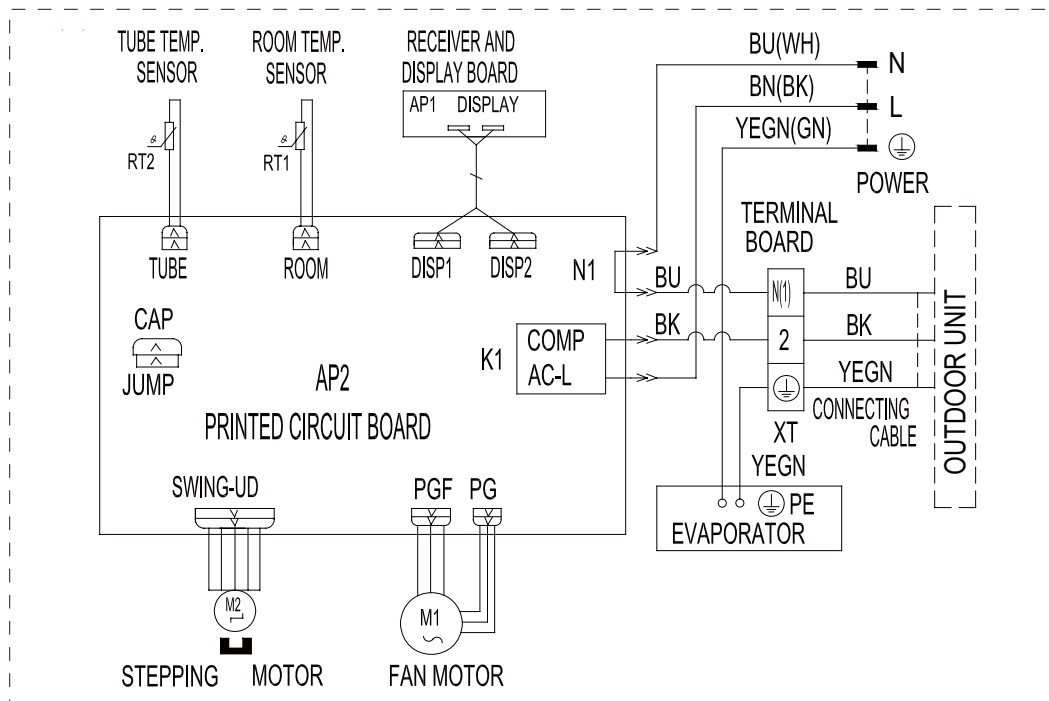
• Instruction

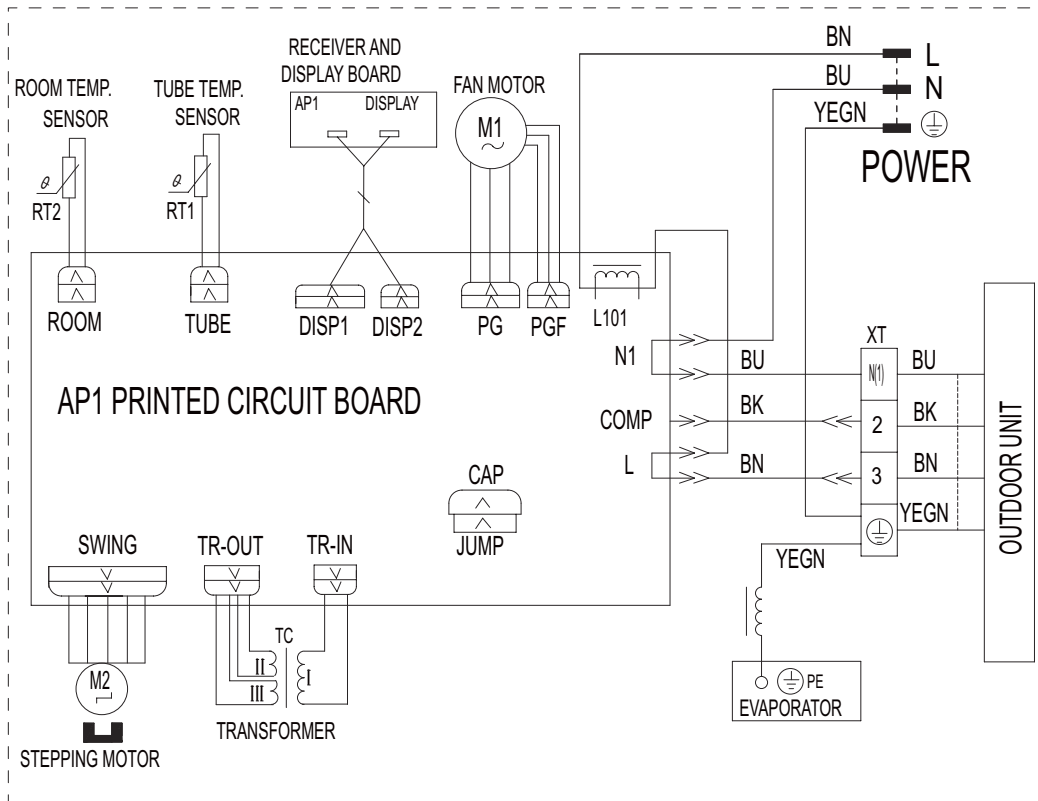
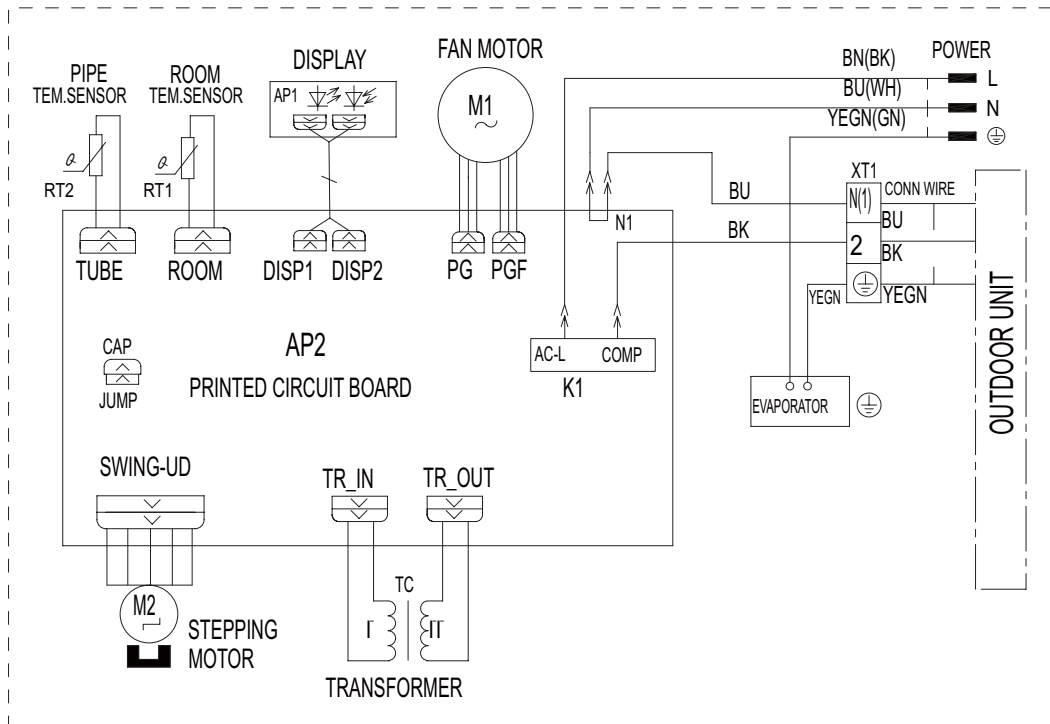
Symbol	Symbol Color	Symbol	Symbol Color	Symbol	Name
WH	White	GN	Green	CAP	Jumper cap
YE	Yellow	BN	Brown	COMP	Compressor
RD	Red	BU	Blue	⊕	Grounding wire
YEGN	Yellow/Green	BK	Black	/	/
VT	Violet	OG	Orange	/	/

Note: Jumper cap is used to determine fan speed and the swing angle of horizontal lover for this model.

• Indoor Unit

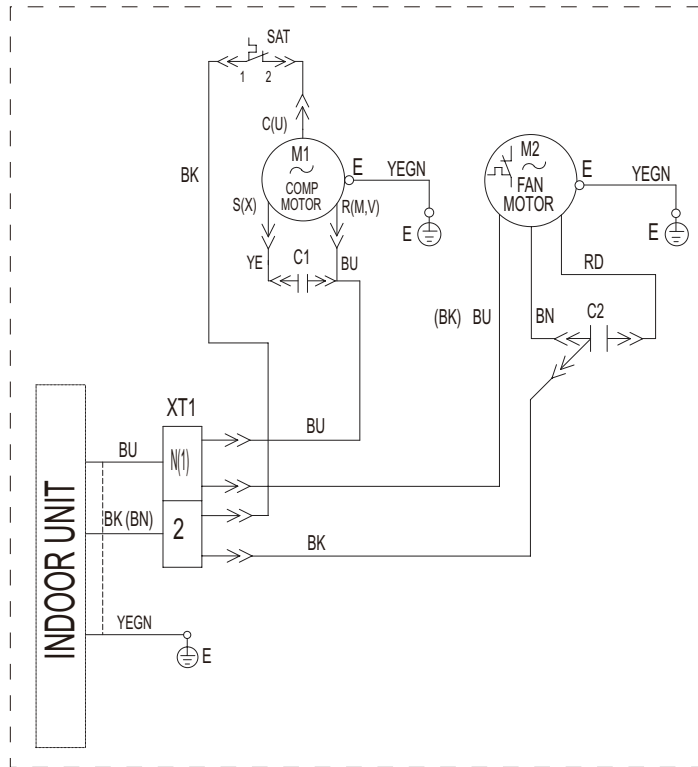
LM009CI-100P432



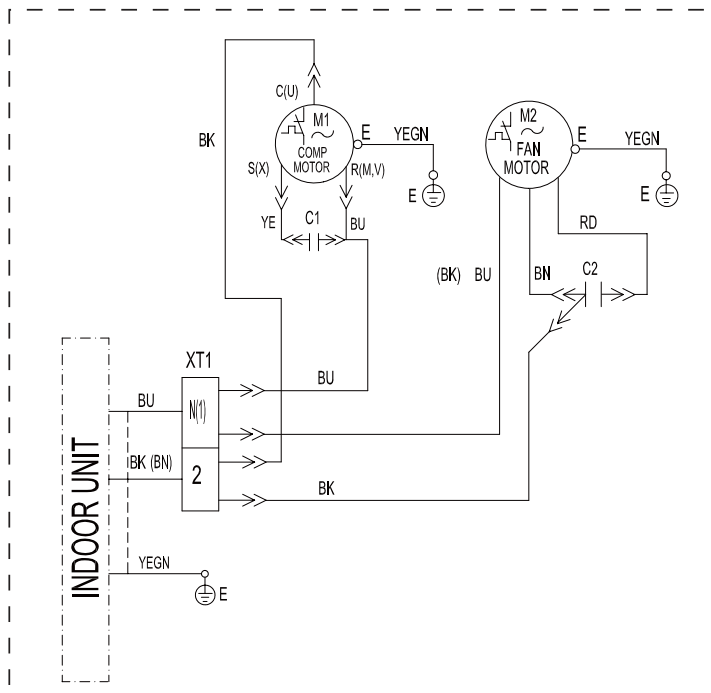


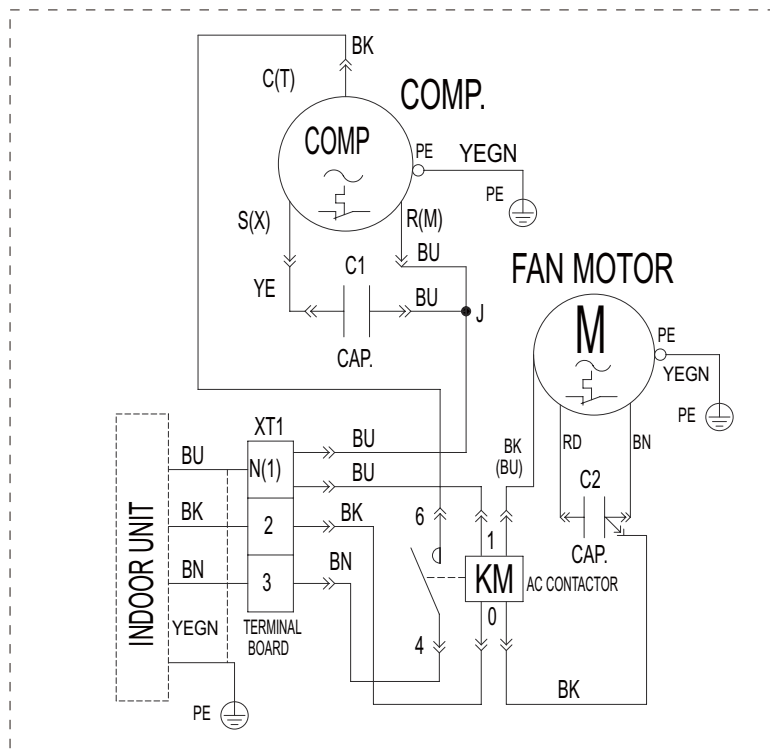
• Outdoor Unit

LM009CO-100P432 LM012CO-100P432



LM018CO-100P432





These wiring diagrams are subject to change without notice; please refer to the one supplied with the unit.